

AIRGOCLEAN 10 E

EN

OPERATING MANUAL
AIR CLEANER



 **TROTEC**

Table of contents

Notes regarding the operating manual..... 1

Safety 1

Information about the device..... 3

Transport and storage..... 4

Assembly and installation..... 4

Operation 5

Available accessories..... 5

Errors and faults 5

Maintenance 6

Technical annex..... 8

Disposal 8

Notes regarding the operating manual

Symbols



Warning of electrical voltage

This symbol indicates dangers to the life and health of persons due to electrical voltage.



Warning

This signal word indicates a hazard with an average risk level which, if not avoided, can result in serious injury or death.



Caution

This signal word indicates a hazard with a low risk level which, if not avoided, can result in minor or moderate injury.

Notice

This signal word indicates important information (e.g. material damage), but does not indicate hazards.



Info

Information marked with this symbol helps you to carry out your tasks quickly and safely.



Follow the manual

Information marked with this symbol indicates that the operating manual must be observed.

You can download the current version of the operating manual and the EU declaration of conformity via the following link:



AirgoClean 10 E



<https://hub.trotec.com/?id=41182>

Safety

Read this manual carefully before starting or using the device. Always store the manual in the immediate vicinity of the device or its site of use!



Warning

Read all safety warnings and all instructions.

Failure to follow the warnings and instructions may result in electric shock, fire and / or serious injury.

Save all warnings and instructions for future reference.

This appliance can be used by children aged from 8 years and above and persons with reduced physical, sensory or mental capabilities or lack of experience and knowledge if they have been given supervision or instruction concerning use of the appliance in a safe way and understand the hazards involved.

Children shall not play with the appliance. Cleaning and user maintenance shall not be made by children without supervision.

- Do not use the device in potentially explosive rooms.
- Do not use the device in aggressive atmosphere.
- Do not operate the device near open fire or gas appliances.
- Set the device up in an upright and stable position.
- Let the device dry out after a wet clean. Do not operate it when wet.
- Do not use the device with wet or damp hands.
- Do not expose the device to directly squirting water.
- Do not expose the device to liquids as it is not protected against splash water.
- Never insert any objects or limbs into the device.
- Do not cover or transport the device during operation.
- Do not sit on the device.
- This appliance is not a toy! Keep away from children and animals. Do not leave the device unattended during operation.
- Check accessories and connection parts for possible damage prior to every use of the device. Do not use any defective devices or device parts.

- Ensure that all electric cables outside of the device are protected from damage (e.g. caused by animals). Never use the device if electric cables or the power connection are damaged!
- The electrical connection must correspond to the specifications in chapter Technical data.
- Insert the mains plug into a properly secured mains socket.
- Observe the technical data when selecting extensions to the power cable. Completely unroll the extension cable. Avoid electrical overload.
- Before carrying out maintenance, care or repair work on the device, remove the mains plug from the mains socket. Hold onto the mains plug while doing so.
- Switch the device off and disconnect the power cable from the mains socket when the device is not in use.
- Do not under any circumstances use the device if you detect damages on the mains plug or power cable. If the supply cord is damaged, it must be replaced by the manufacturer, his service agent or similarly qualified persons in order to avoid a hazard. Defective power cables pose a serious health risk.
- When positioning the device, observe the minimum distances from walls and other objects as well as the storage and operating conditions specified in the Technical data chapter.
- Ensure that the air inlet and outlet are not obstructed.
- Make sure that there are no loose items located in the immediate surroundings of air inlet and air outlet.
- Do not expose the device to heat or direct sunlight.

Intended use

Use the device AirgoClean 10 E for cleaning the air as well as for odour elimination (ionization) in interior spaces only whilst adhering to the technical data and safety instructions.

Improper use

- Do not place the device on wet or flooded ground.
- Do not place any objects, e.g. clothing, on the device.
- Do not use the device outdoors.
- Do not use the device in bathrooms and rooms with a high humidity level.
- Do not use the device in rooms where large amounts of dust are produced, e.g. in production halls, workshops or on construction sites.
- Moreover, the integrated filter system is not suited for removing dusts that are potentially harmful to health (e.g. pollutants) from the air.

- Any operation other than as described in this manual is prohibited. Non-observance renders all claims for liability and guarantee null and void.
- Any unauthorised modifications, alterations or structural changes to the device are forbidden.

Personnel qualifications

People who use this device must:

- be aware of the dangers that occur when working with electrically driven air cleaners.
- have read and understood the operating manual, especially the Safety chapter.

Residual risks



Warning of electrical voltage

Work on the electrical components must only be carried out by an authorised specialist company!



Warning of electrical voltage

Before any work on the device, remove the mains plug from the mains socket!
Hold onto the mains plug while pulling the power cable out of the mains socket.



Warning

Dangers can occur at the device when it is used by untrained people in an unprofessional or improper way!
Observe the personnel qualifications!



Warning

The device is not a toy and does not belong in the hands of children.



Warning

Risk of suffocation!
Do not leave the packaging lying around. Children may use it as a dangerous toy.

Notice

Do not operate the device without a HEPA filter inserted!

Notice

Do not use abrasive cleaners or solvents to clean the device.

Behaviour in the event of an emergency

1. Switch the device off.
2. In an emergency, disconnect the device from the mains feed-in: Hold onto the mains plug while pulling the power cable out of the mains socket.
3. Do not reconnect a defective device to the mains.

Information about the device

Device description

The device AirgoClean 10 E serves to filter the room air with the aim of reducing slight and medium contaminations and odours in order to improve the air quality. It is equipped with a powerful fan sucking in the air at the front. The air flows through the filter and is cleaned. Afterwards the fan releases the clean air back into the room.

The device uses a HEPA filter to remove bacteria, viruses, pollen, dust mite residue, mould fungus spores and other allergens from the air. The HEPA filter has an integrated pre-filter (made of synthetic fibre) that filters out large dust particles before the air flows into the HEPA filter.

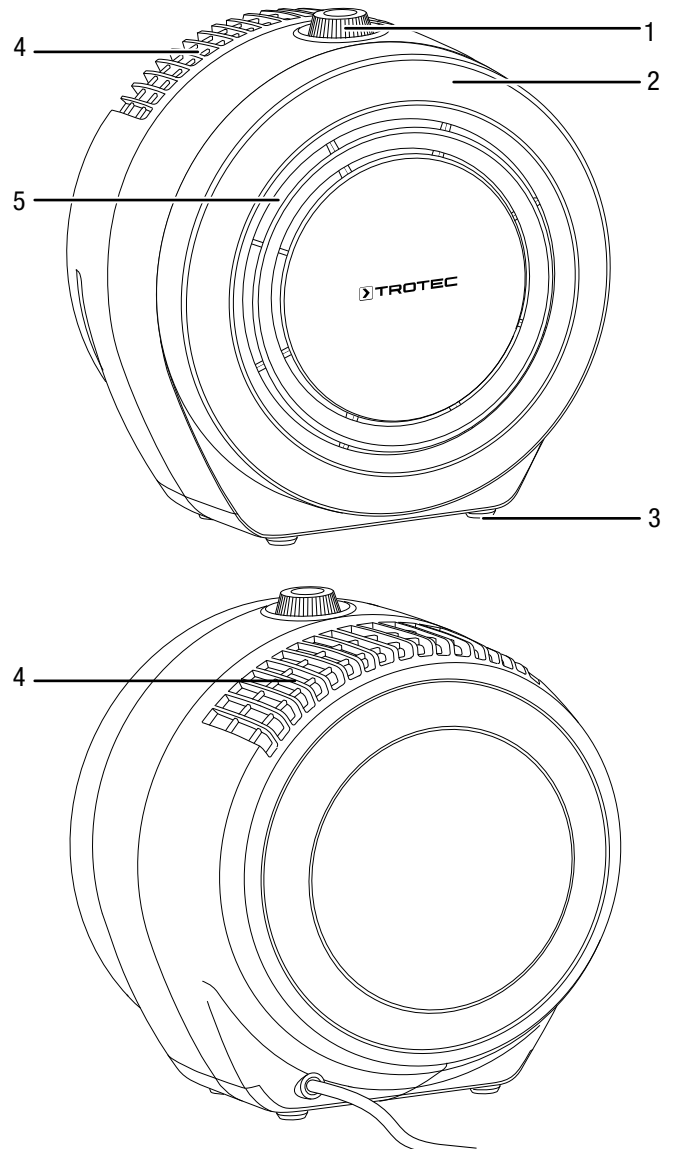
The HEPA filter is effective against house dust, pet allergens, cigarette smoke, smog and particles which can carry smells and viruses.

Additionally, the device comes with an ionization function. The released ions remove pollen, dust, viruses and bacteria from the room air. Thanks to this air purification method, the quality of the room air can be additionally improved.

The three-stage fan and the uncomplicated, quick filter change ensure easy operation.

Thanks to its compact dimensions the device can be transported conveniently, and owing to its low-noise operation it can be used indoors.

Device depiction



No.	Designation
1	On/off switch and fan stage selector switch
2	Device cover
3	Foot
4	Air outlet
5	Air inlet

Transport and storage

Notice

If you store or transport the device improperly, the device may be damaged.

Note the information regarding transport and storage of the device.

Transport

Before transporting the device, proceed as follows:

- Switch off the device.
- Hold onto the mains plug while pulling the power cable out of the mains socket.
- Do not use the power cable to drag the device.

After transporting the device, observe the following:

- Set up the device in an upright position after transport.

Storage

When the device is not being used, observe the following storage conditions:

- dry and protected from frost and heat
- in an upright position where it is protected from dust and direct sunlight
- with a cover to protect it from invasive dust if necessary

Assembly and installation

Scope of delivery

- 1 x Device
- 1 x HEPA filter incl. pre-filter made of synthetic fibre
- 1 x Manual

Unpacking the device

1. Open the cardboard box and take the device out.
2. Completely remove the packaging.
3. Fully unwind the power cable. Make sure that the power cable is not damaged and that you do not damage it during unwinding.

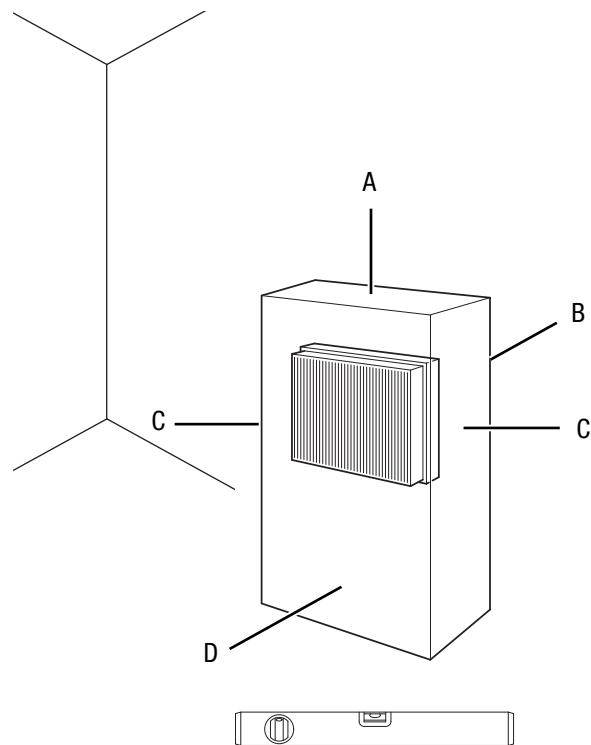
Start-up

The HEPA filter is pre-installed.

Notice

Remove the plastic cover from the HEPA filter. To do so, please proceed as described in the chapter Changing the HEPA filter.

When positioning the device, observe the minimum distance from walls or other objects as described in the Technical data chapter.



- Before restarting the device, check the condition of the power cable. If there are doubts as to the sound condition, contact the customer service.
- Set the device up in an upright and stable position.
- Do not create tripping hazards when laying the power cable or other electric cables, especially when positioning the device in the middle of the room. Use cable bridges.
- Make sure that extension cables are completely unrolled.
- Position the device near the source of air contamination.
- When positioning the device, keep a sufficient distance to heat sources.
- Make sure that no curtains or other objects interfere with the air flow.
- Ensure that the air inlet and outlet are not obstructed.

Connecting the power cable

- Insert the mains plug into a properly secured mains socket.

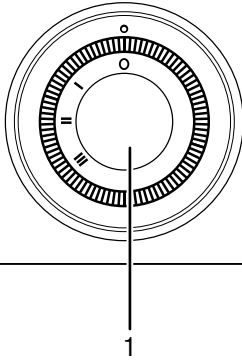
Operation

Notice

Avoid open doors and windows.

After being switched on, the device operates fully automatically.

Operating elements



No.	Designation
1	On/off switch

Switching the device on / selecting the fan speed

Once you have completely installed the device as described in the Start-up chapter, you can switch it on.

- Set the on/off switch (1) to the desired fan stage.
 - Stage I = low fan speed
 - Stage II = medium fan speed
 - Stage III = high fan speed
 ⇒ The device is switched on.

Ionization

With this function, the room air is not only cleaned by means of the HEPA filter, but additionally by means of ions. The released ions remove pollen, dust, viruses and bacteria from the room air.

Ionization starts automatically once you switch on the device. Ionization cannot be switched off.

Shutdown



Warning of electrical voltage

Do not touch the mains plug with wet or damp hands.

- Set the on/off switch (1) to **0**.
- Hold onto the mains plug while pulling the power cable out of the mains socket.
- Clean the device according to the Maintenance chapter.
- Store the device according to the Storage chapter.

Available accessories



Warning

Only use accessories and additional equipment specified in the operating manual. Using insertion tools or accessories other than those specified in the operating manual may cause a risk of injury.

Designation	Article number
HEPA filter, filter class H11	7.160.000.510

Errors and faults

The device has been checked for proper functioning several times during production. If malfunctions occur nonetheless, check the device according to the following list.

The device does not start:

- Check the power connection.
- Check the power cable and mains plug for damages.
- Check the on-site fusing.
- Wait for 10 minutes before restarting the device. If the device is not starting, have the electricians checked by a specialist company or by Trotec.

The device is loud or vibrates:

- Check whether the device is set up in a stable and upright position.

The device works with reduced capacity:

- Check the HEPA filter for dirt. If necessary, clean or replace the HEPA filter.
- The air outlet is obstructed. Make sure that the air outlet is not blocked. Remove any loose objects from the air outlet.
- The HEPA filter's plastic cover was not removed before installation. Take the HEPA filter out of the plastic cover.

The device works with no capacity or the air quality does not improve:

- Check whether any windows and/or doors of the room are open. If so, close them.
- The HEPA filter is not installed. Install the HEPA filter.
- Check the minimum distance to walls or other objects. Position the device a little more in the room's centre if required.

The device gives off an unpleasant odour:

- Check the HEPA filter for dirt. If necessary, clean or replace the HEPA filter.
- Smoke, e.g. dense tobacco smoke, may produce odours and contaminations in the air. Ventilate the room.

Notice

Wait for at least 3 minutes after maintenance and repair work. Only then switch the device back on.

Your device still does not operate correctly after these checks?

Please contact the customer service. If necessary, bring the device to an authorized specialist electrical company or to Trotec for repair.

Maintenance

Activities required before starting maintenance



Warning of electrical voltage

Do not touch the mains plug with wet or damp hands.

- Switch off the device.
- Hold onto the mains plug while pulling the power cable out of the mains socket.



Warning of electrical voltage

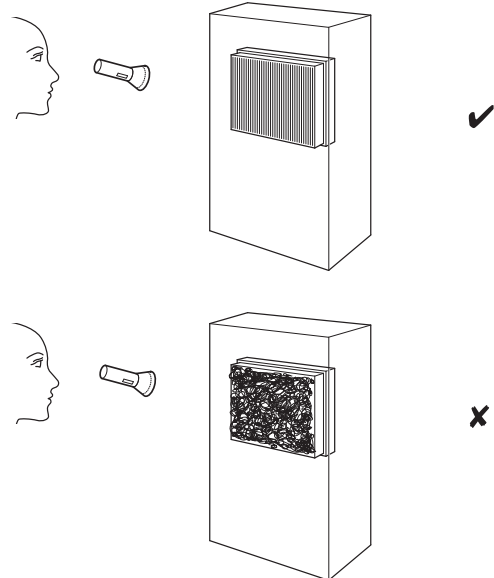
Tasks which require the housing to be opened must only be carried out by authorised specialist companies or by Trotec.

Cleaning the housing

Clean the housing with a soft, damp and lint-free cloth. Ensure that no moisture enters the housing. Protect electrical components from moisture. Do not use any aggressive cleaning agents such as cleaning sprays, solvents, alcohol-based or abrasive cleaners to dampen the cloth.

Visual inspection of the inside of the device for dirt

1. Remove the air filter.
2. Use a torch to illuminate the openings of the device.
3. Check the inside of the device for dirt.
4. If you see a thick layer of dust, clean the inside of the device with a vacuum cleaner.
5. Put the air filter back in.



Changing the HEPA filter

Notice

Do not operate the device without a HEPA filter inserted!

Notice

The HEPA filter is not washable. Do not use water or liquid cleaning agents to clean the HEPA filter.

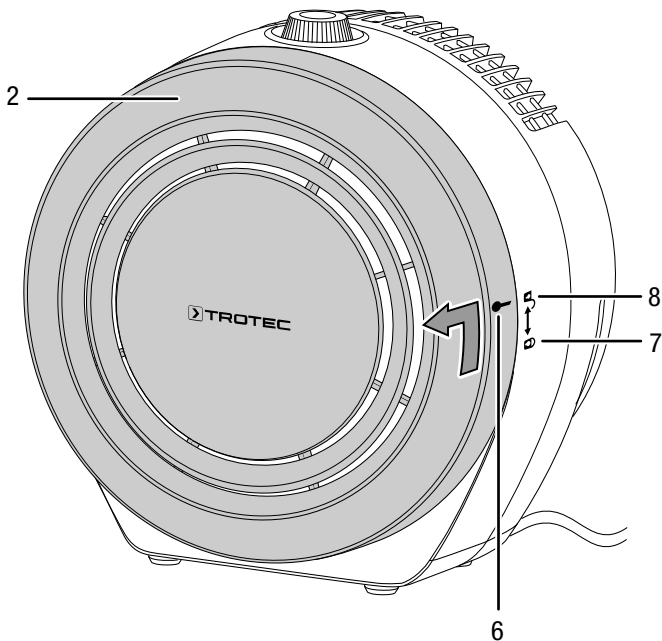
- The HEPA filter has to be replaced as soon as it is dirty. This is brought to light e.g. by a reduced capacity (see chapter Errors and faults).
- Make sure that the HEPA filter is installed before switching the device on.
- Without the HEPA filter, the device cannot fulfil its air cleaner function, and the inside of the device will be soiled.

The HEPA filter should be replaced in case of heavy soiling.

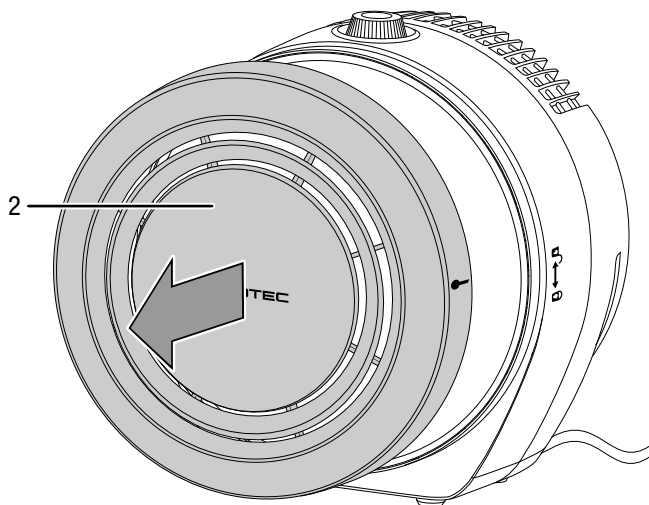
The operating life is approx. 6 months, depending on the degree of air pollution.

If required, visually inspect the HEPA filter for dirt.

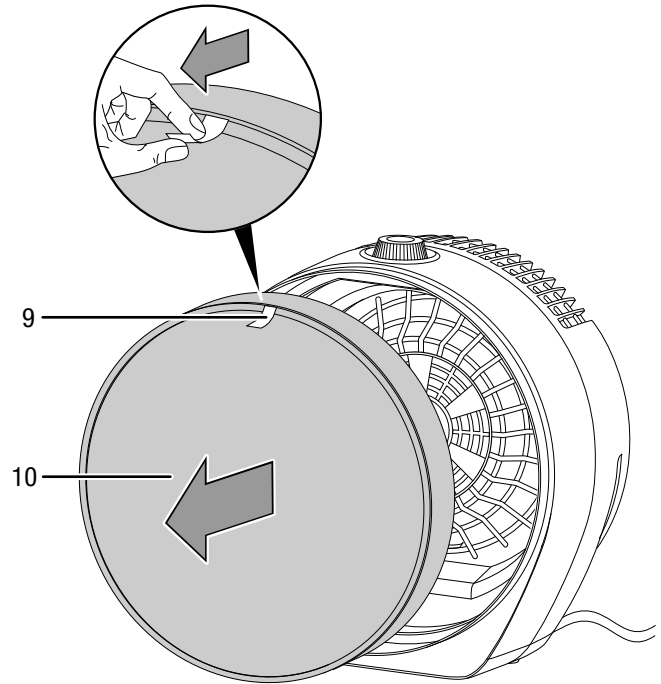
1. Open the device cover (2) by rotating it counter-clockwise. Note the mark (6) on the right-hand side of the device cover. You have to rotate the device cover (2) from the closed (7) to the open position (8).



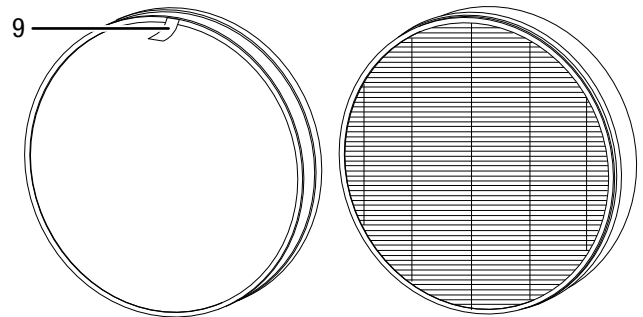
2. Remove the device cover (2) from the device.



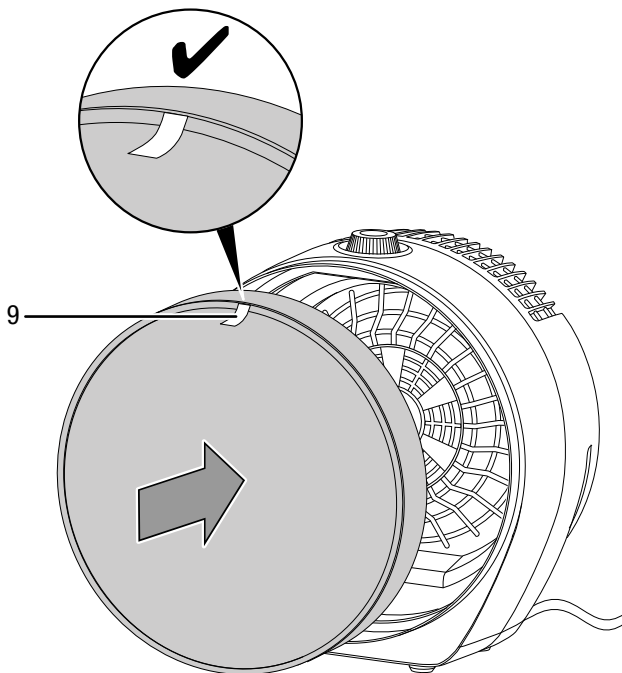
3. Pull the strip (9) to take the used HEPA filter (10) out of the device.



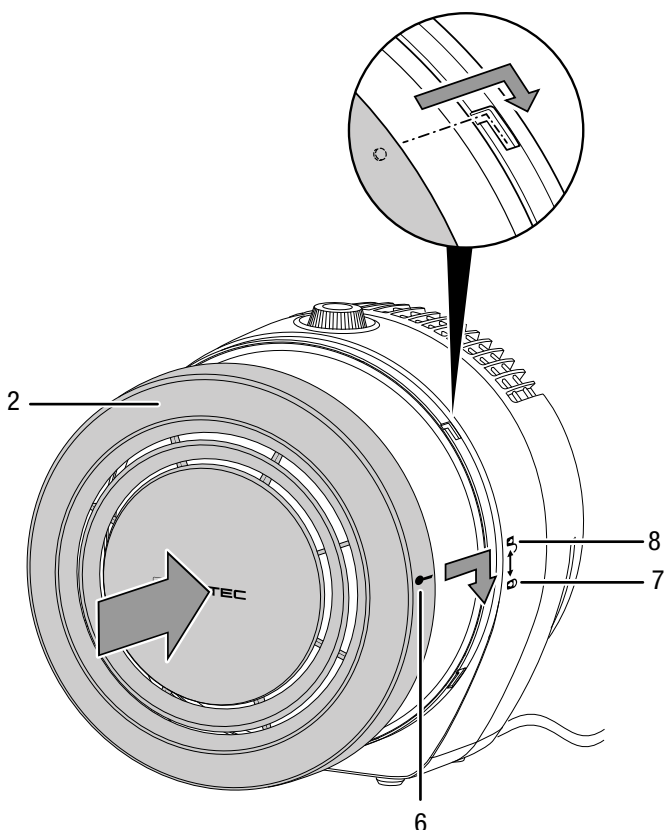
4. Dispose of the used HEPA filter according to the national regulations.
5. Take the new HEPA filter out of the plastic cover. The front of the HEPA filter is fitted with a pre-filter made of synthetic fibre and with the strip (9).



6. Insert the new HEPA filter into the device. Make sure that the strip (9) is positioned on the outside.



7. Put the device cover (2) back on the device. Make sure that the mark (6) on the device cover and the mark (8) on the right-hand side of the device are aligned. Close the device cover (2) by rotating it clockwise from the open (8) to the closed position (7).



Technical annex

Technical data

Parameter	Value
Model	AirgoClean 10 E
Article number	1.580.001.010
Suitable room size	20 m ² / 50 m ³
Air flow rate with HEPA filter	
Fan stage I	55 m ³ /h
Fan stage II	105 m ³ /h
Fan stage III	135 m ³ /h
Ambient temperature	0 °C to 35 °C
Operating range	0 % to 90 % RH
Mains connection	1/N/PE ~ 230 V / 50 Hz
Power consumption	45 W
Nominal current	0.2 A
Sound pressure level (1 m distance)	54.4 dB(A)
Dimensions (depth x width x height)	183 x 272 x 296 mm
Minimum distance to walls and other objects	
A: top	30 cm
B: rear	30 cm
C: side	30 cm
D: front	30 cm
Weight	2.5 kg

Disposal



The icon with the crossed-out waste bin on waste electrical or electronic equipment stipulates that this equipment must not be disposed of with the household waste at the end of its life. You will find collection points for free return of waste electrical and electronic equipment in your vicinity. The addresses can be obtained from your municipality or local administration. For further return options provided by us please refer to our website www.trotec24.com.

The separate collection of waste electrical and electronic equipment aims to enable the re-use, recycling and other forms of recovery of waste equipment as well as to prevent negative effects for the environment and human health caused by the disposal of hazardous substances potentially contained in the equipment.

Trotec GmbH & Co. KG

Grebener Str. 7
D-52525 Heinsberg

☎ +49 2452 962-400

☎ +49 2452 962-200

✉ info@trotec.com

www.trotec.com