

# PAC 3900 X

## EN

OPERATING MANUAL  
LOCAL AIR CONDITIONER



 TROTEC

**Table of contents**

**Notes regarding the operating manual**..... 2

**Safety** ..... 2

**Information about the device**..... 5

**Transport and storage**..... 6

**Assembly and installation**..... 6

**Operation** ..... 9

**Errors and faults**..... 13

**Maintenance** ..... 15

**Technical annex**..... 18

**Disposal** ..... 20

**Notes regarding the operating manual**

**Symbols**



**Danger**

This symbol indicates dangers to the life and health of persons due to extremely flammable gas.



**Warning of electrical voltage**

This symbol indicates dangers to the life and health of persons due to electrical voltage.



**Warning**

This signal word indicates a hazard with an average risk level which, if not avoided, can result in serious injury or death.



**Caution**

This signal word indicates a hazard with a low risk level which, if not avoided, can result in minor or moderate injury.

**Note**

This signal word indicates important information (e.g. material damage), but does not indicate hazards.



**Info**

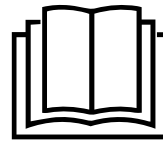
Information marked with this symbol helps you to carry out your tasks quickly and safely.



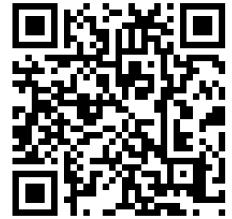
**Follow the manual**

Information marked with this symbol indicates that the operating manual must be observed.

You can download the current version of the operating manual and the EU declaration of conformity via the following link:



PAC 3900 X



<https://hub.trotec.com/?id=41936>

**Safety**

**Read this manual carefully before starting or using the device. Always store the manual in the immediate vicinity of the device or its site of use!**



**Warning**

**Read all safety warnings and all instructions.**

Failure to follow the warnings and instructions may result in electric shock, fire and / or serious injury.

**Save all warnings and instructions for future reference.**

This appliance can be used by children aged from 8 years and above and persons with reduced physical, sensory or mental capabilities or lack of experience and knowledge if they have been given supervision or instruction concerning use of the appliance in a safe way and understand the hazards involved.

Children shall not play with the appliance. Cleaning and user maintenance shall not be made by children without supervision.

- Do not use the device in potentially explosive rooms.
- Do not use the device in aggressive atmosphere.
- Set the device up in an upright and stable position.
- Let the device dry out after a wet clean. Do not operate it when wet.
- Do not use the device with wet or damp hands.
- Do not expose the device to directly squirting water.
- Never insert any objects or limbs into the device.
- Do not cover or transport the device during operation.
- Do not sit on the device.
- This appliance is not a toy! Keep away from children and animals. Do not leave the device unattended during operation.
- Check accessories and connection parts for possible damage prior to every use of the device. Do not use any defective devices or device parts.

- Ensure that all electric cables outside of the device are protected from damage (e.g. caused by animals). Never use the device if electric cables or the power connection are damaged!
- The electrical connection must correspond to the specifications in chapter Technical data.
- Insert the mains plug into a properly secured mains socket.
- Observe the technical data when selecting extensions to the power cable. Completely unroll the extension cable. Avoid electrical overload.
- Before carrying out maintenance, care or repair work on the device, remove the mains plug from the mains socket. Hold onto the mains plug while doing so.
- Switch the device off and disconnect the power cable from the mains socket when the device is not in use.
- Do not under any circumstances use the device if you detect damages on the mains plug or power cable. If the supply cord is damaged, it must be replaced by the manufacturer, its service agent or similarly qualified persons in order to avoid a hazard. Defective power cables pose a serious health risk!
- When positioning the device, observe the minimum distances from walls and other objects as well as the storage and operating conditions specified in the Technical data chapter.
- Make sure that the air inlet and outlet are not obstructed.
- Do not remove any safety signs, stickers or labels from the device. Keep all safety signs, stickers and labels in legible condition.
- Make sure that the suction side is kept free of dirt and loose objects.
- Only transport the device in an upright position with an emptied condensation tray or drain hose.
- Discharge the collected condensate before transport and storage. Do not drink it. Health hazard!
- Only install, operate and store the device PAC 3900 X in a room measuring more than 13 m<sup>2</sup>.
- Store the device in a way that no mechanical damage can occur.
- Please note that the connected ducts must not contain any sources of ignition.
- R290 is a refrigerant that complies with European environmental regulations. No part of the cooling circuit may be perforated.
- Do not drill through or burn.
- Do not use any means other than those recommended by the manufacturer for accelerating the defrosting process.
- Every person working with or at the refrigerant circuit must be able to provide a certificate of qualification issued by a body accredited by the industry, demonstrating their competence in the safe use of refrigerants based on a procedure well-known in the industry.
- Service work may only be carried out in accordance with the manufacturer's specifications. If maintenance and repair work require the support of additional persons, the person trained in handling flammable refrigerants shall continuously supervise the work carried out.
- Unventilated rooms, in which the device is installed, operated or stored, must be built in a way to ensure that potentially leaking refrigerant cannot accumulate. This serves to avoid fire or explosion hazards resulting from an ignition of the refrigerant by an electric furnace, cooking stove or another ignition source.
- The entire refrigerant circuit is a maintenance-free, hermetically sealed system and may only be maintained or repaired by specialist companies for cooling and air-conditioning or by Trotec.

### Intended use

Only use the device for cooling, ventilating and dehumidifying indoor air whilst adhering to the technical data.

### Improper use

- Do not place the device on wet or flooded ground.
- Do not place any objects, e.g. clothing, on the device.
- Do not use the device outdoors.
- Any unauthorised modifications, such as alterations or structural changes to the device, are forbidden.
- Any operation other than as described in this manual is prohibited. Non-observance renders all claims for liability and guarantee null and void.



### Safety warnings for air conditioners filled with R290

- Only position the device in rooms where potentially leaking refrigerant cannot accumulate.
- Only position the device in rooms where there is no permanent source of ignition (e.g. open flames, an active gas appliance or an electric heater).
- Please note that the refrigerant is odourless.
- Only install the device in compliance with the national installation regulations.
- Observe the national gas regulations.

**Personnel qualifications**

People who use this device must:

- be aware of the dangers that occur when working with electric devices in damp areas.
- have read and understood the operating manual, especially the Safety chapter.

Maintenance tasks which require the housing to be opened must only be carried out by specialist companies for cooling and air-conditioning or by Trotec.

**Safety signs and labels on the device**

**Note**

Do not remove any safety signs, stickers or labels from the device. Keep all safety signs, stickers and labels in legible condition.

The following safety signs and labels are attached to the device:



**PAC 3900 X**

**WARNING • WARNUNG • ATTENTION**

**DE** Das Gerät muss in einem Raum mit einer Grundfläche größer als 13 m<sup>2</sup> aufgestellt, betrieben und gelagert werden.

**EN** Appliance shall be installed, operated and stored in a room with floor area larger than 13 m<sup>2</sup>.

**FR** L'appareil doit être installé, utilisé et entreposé dans une pièce avec une surface supérieure à 13 m<sup>2</sup>.


**Follow the manual**

This symbol indicates that the operating manual must be observed.



**Follow the repair manual**

Maintenance and repair work of the refrigerant circuit may only be carried out in accordance with the manufacturer's specifications and by persons having a certificate of qualification. A corresponding repair manual is available from the manufacturer upon request.

**Residual risks**



**Danger**

**Natural refrigerant propane (R290)!**

H220 – Extremely flammable gas.

H280 – Contains gas under pressure; may explode if heated.

P210 – Keep away from heat, sparks, open flames and other ignition sources. No smoking.

P377 – Leaking gas fire: Do not extinguish, unless leak can be stopped safely.

P410+P403 – Protect from sunlight. Store in a well-ventilated place.



**Warning of electrical voltage**

Work on the electrical components must only be carried out by an authorised specialist company!



**Warning of electrical voltage**

Before any work on the device, remove the mains plug from the mains socket!

Hold onto the mains plug while pulling the power cable out of the mains socket.



**Warning**

Dangers can occur at the device when it is used by untrained people in an unprofessional or improper way! Observe the personnel qualifications!



**Warning**

The device is not a toy and does not belong in the hands of children.



**Warning**

Risk of suffocation!

Do not leave the packaging lying around. Children may use it as a dangerous toy.

**Note**

Do not operate the device without an inserted air filter! Without an air filter the inside of the device will be heavily contaminated, which could reduce the dehumidification performance and result in damage to the device.

**Behaviour in the event of an emergency**

1. Switch off the device.
2. In an emergency, disconnect the device from the mains feed-in: Hold onto the mains plug while pulling the power cable out of the mains socket.
3. Do not reconnect a defective device to the mains.

## Information about the device

### Device description

The device serves the purpose of cooling the room air. It further filters and dehumidifies the air thus creating an agreeable room climate.

The unit cools the room air by withdrawing warmth. The absorbed warmth is emitted to the outside via the exhaust air hose; cooled air is fed to the installation site by means of a fan.

Accumulating condensate drips from the evaporator onto the hot condenser, there it evaporates and then is transported to the outside via the exhaust air hose.

In *ventilation* mode the device provides the opportunity of air circulation without cooling effect.

In *dehumidification* mode moisture is withdrawn from the air.

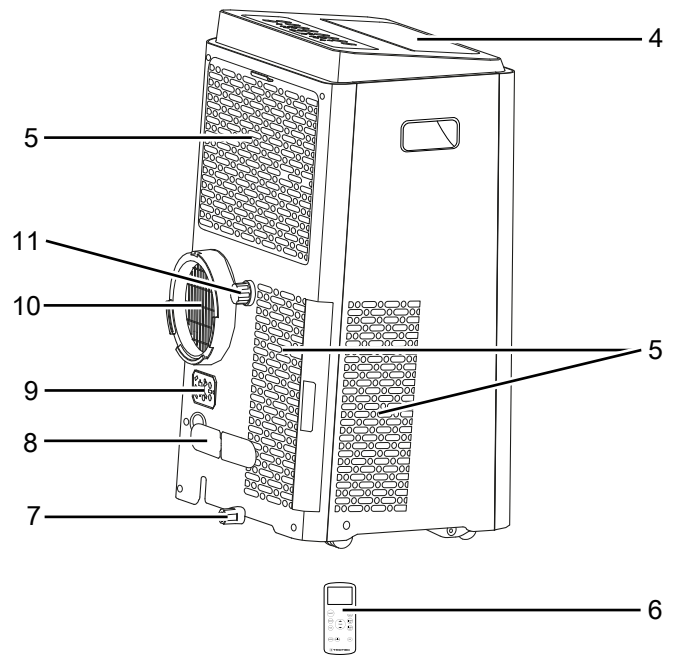
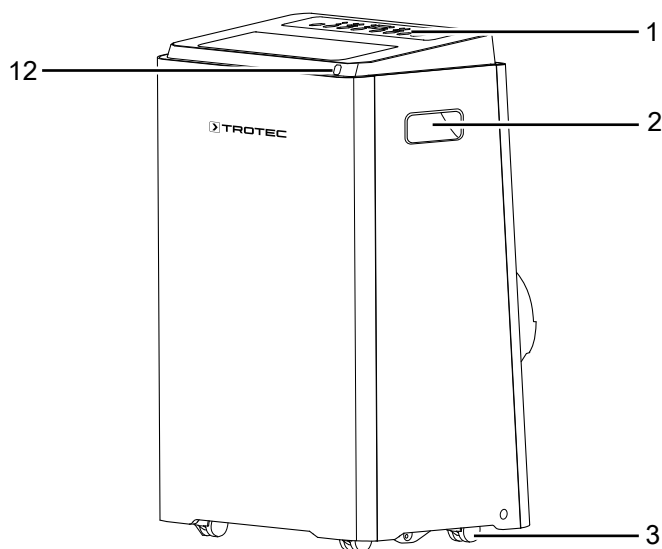
The device operates fully automatically and features a variety of further options. The device can, for instance, be switched on or off automatically with time delay via the timer function.

Operation of the device is possible either via the control panel at the device or via the supplied infrared remote control.

The device was designed for universal and flexible application.

Due to its compact dimensions it can be easily transported and used in all interior spaces.

### Device depiction



No.	Designation
1	Control panel
2	Transport handle
3	Wheels
4	Air outlet
5	Air inlet with air filter
6	Remote control
7	Condensate outlet with sealing cap and rubber stopper
8	Power cable holder
9	Mains plug holder
10	Exhaust air hose connection
11	Hose connector with sealing cap and rubber stopper
12	Remote control receiver

## Transport and storage

### Note

If you store or transport the device improperly, the device may be damaged.

Note the information regarding transport and storage of the device.

### Transport

To make the device easier to transport, it is fitted with wheels.

To make the device easier to transport, it is fitted with a carry handle.

**Before** transporting the device, observe the following:

- Switch off the device.
- Hold onto the mains plug while pulling the power cable out of the mains socket.
- Do not use the power cable to drag the device.
- Drain the remaining condensate from the device.
- Only wheel the device on a level and smooth surface.

**After** transporting the device, observe the following:

- Set up the device in an upright position after transport.
- Leave the device to rest for 12 to 24 hours, so the refrigerant can accumulate within the compressor.

Wait 12 to 24 hours before switching the device back on! Acting contrary might lead to compressor damage and a malfunctioning device. If so, any warranty claims will be voided.

### Storage

**Before** storing the device, proceed as follows:

- Drain the remaining condensate from the device.
- Hold onto the mains plug while pulling the power cable out of the mains socket.

When the device is not being used, observe the following storage conditions:

- Only store the device in a room measuring more than 13 m<sup>2</sup>.
- dry and protected from frost and heat
- in an upright position where it is protected from dust and direct sunlight
- with a cover to protect it from invasive dust, if necessary
- Place no further devices or objects on top of the device to prevent it from being damaged.
- Remove batteries from the remote control.

## Assembly and installation

### Scope of delivery

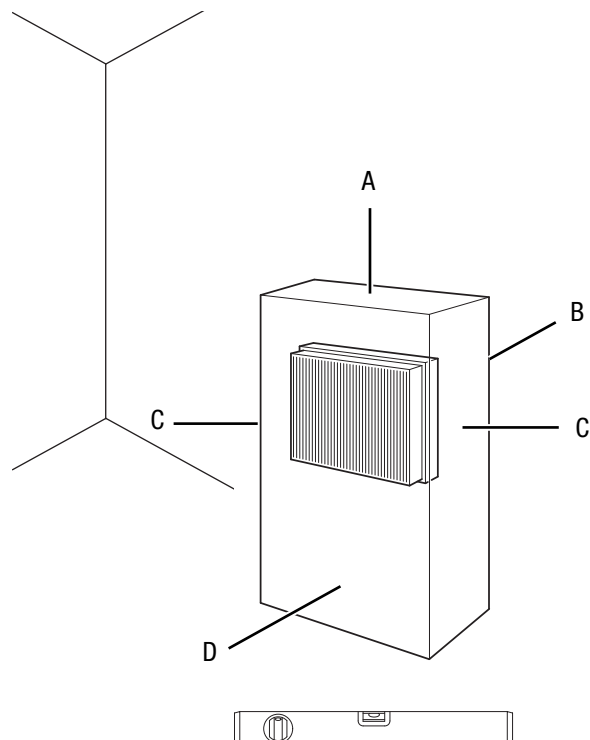
- 1 x Device
- 1 x Exhaust air hose
- 1 x Hose adapter
- 1 x Hose adapter with sealing cap
- 4 x Screw
- 1 x Condensation drain hose
- 3 x Pre-filter
- 1 x Power cable holder
- 1 x Remote control
- 2 x Battery for the remote control
- 1 x Manual

### Unpacking the device

1. Open the cardboard box and take the device out.
2. Completely remove the packaging.
3. Fully unwind the power cable. Make sure that the power cable is not damaged and that you do not damage it during unwinding.

### Start-up

When positioning the device, observe the minimum distance from walls or other objects as described in the Technical data chapter.



- Only position the device in rooms where potentially leaking refrigerant cannot accumulate.
- Only position the device in rooms where there is no permanent source of ignition (e.g. open flames, an active gas appliance or an electric heater).
- Before restarting the device, check the condition of the power cable. If there are doubts as to the sound condition, contact the customer service.
- Set the device up in an upright and stable position.
- Do not create tripping hazards when laying the power cable or other electric cables, especially when positioning the device in the middle of the room. Use cable bridges.
- Make sure that extension cables are unrolled completely.
- Keep air inlets and outlets as well as the exhaust air hose connection free.
- Make sure that no curtains or other objects interfere with the air flow.

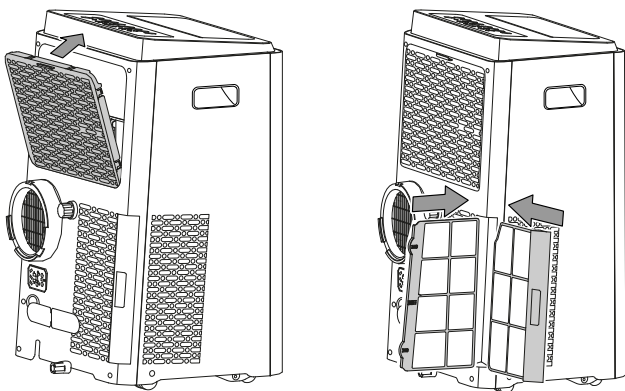
Prior to initial start-up, insert the batteries in the remote control.

### Inserting the air filter

#### Note

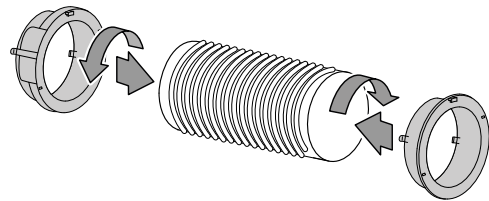
Do not operate the device without an inserted air filter! Without an air filter the inside of the device will be heavily contaminated, which could reduce the dehumidification performance and result in damage to the device.

- Make sure that the air filters are installed before switching the device on. All in all, the device comes equipped with 3 air filters at the air inlets (5).

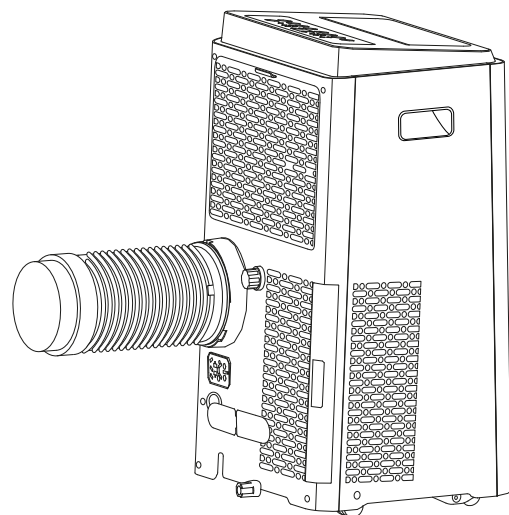
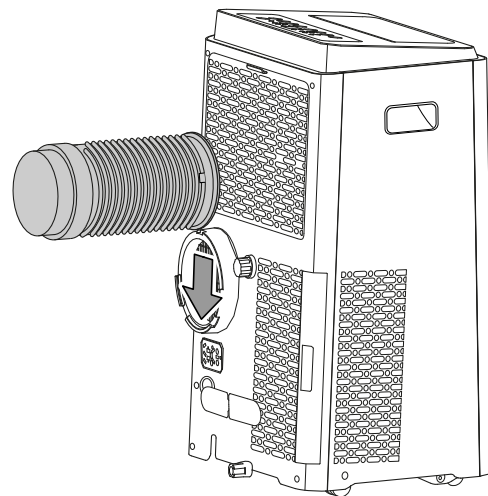


### Connecting the exhaust air hose

1. Connect the hose adapters to one end of the exhaust air hose each.



2. Connect the suitable end of the exhaust air hose to the exhaust air hose connection (10) located at the device.



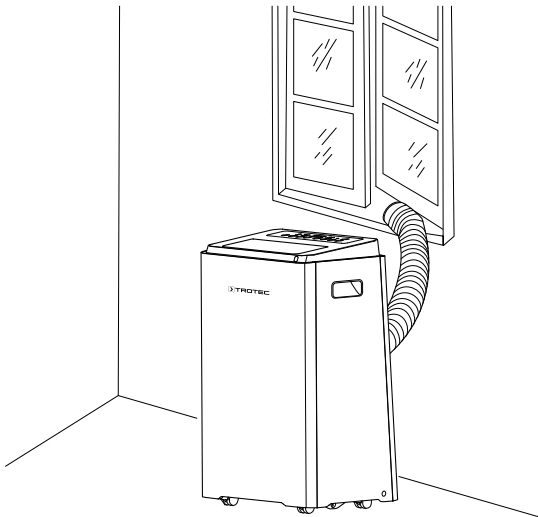
**Discharging exhaust air**

- The exhaust air coming from the device contains waste heat from the room to be cooled. For this reason it is recommended to discharge the exhaust air to the outside.
- The end of the exhaust air hose can be fed through the open window. If required, secure the open window with the corresponding means, so that the end of the exhaust air hose cannot shift.
- The end of the exhaust air hose can also be hooked into a tilted window.

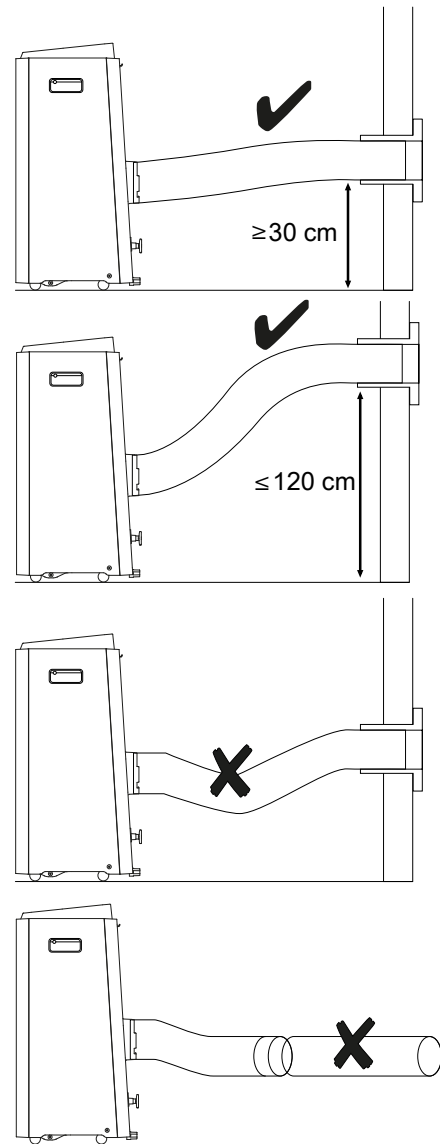
For this purpose, we recommend using a window seal (optional).

- Install the exhaust air hose inclined with the air direction.
- The connected hose must not contain any source of ignition.

*Example with exhaust air hose:*



For installing the exhaust air hose please observe the following:



- Avoid kinks and bends in the exhaust air hose, as they would lead to an accumulation of emitted humid air causing the device to overheat and shut down.
- The dimensions of the exhaust air hose were especially made to fit the device. Do not replace or extend the hose, for it could cause a malfunction.

**Connecting the power cable**

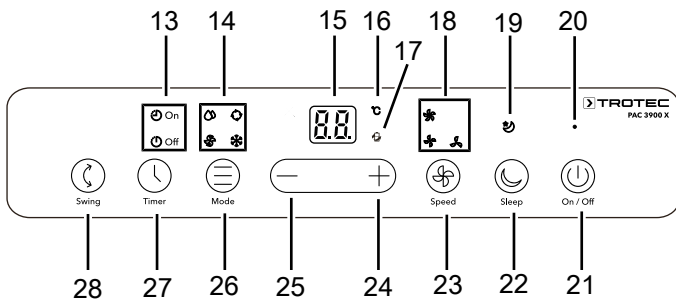
- Insert the mains plug into a properly secured mains socket.



## Operation

- Avoid open doors and windows.

### Operating elements



No.	Designation	Meaning
13	Timer LEDs	Illuminated when the <i>timer</i> is activated
14	Operating mode LEDs	Indicates the selected operating mode: * = <i>Cool</i> = cooling ☉ = <i>Dry</i> = dehumidification ⚙ = <i>Fan</i> = ventilation ⌚ = <i>Auto</i> = automatic operation
15	Segment display	Display of current room temperature Indication of the target temperature Indication of the number of hours during timer programming Indication of the error code, see chapter Errors and faults
16	Degrees Celsius LED	Illuminated when display of <i>degrees Celsius</i> is enabled
17	Energy saving mode LED	Illuminated when <i>energy saving mode</i> is activated
18	Fan speed LEDs	Fan speed indication:  Automatic stage ⚙ = Stage 1 = low ⚙ = Stage 2 = high ⚙ = Stage 3 = maximum
19	Sleep LED	<i>Night mode</i> indication
20	On / Off LED	Illuminated during standby and ongoing operation
21	On / Off button	Switching the device on and off
22	Sleep button	Switching <i>night mode</i> on and off
23	Speed button	Setting the fan speed
24	Increase value button	Increasing the target temperature (17 °C to 30 °C) for cooling
25	Decrease value button	Reducing the target temperature (17 °C to 30 °C) for cooling

No.	Designation	Meaning
26	Mode button	Selecting the operating mode: <i>cooling</i> <i>dehumidification</i> <i>ventilation</i> <i>automatic operation</i>
27	Timer button	<i>Automatic switch-on</i> timer function in increments of 0.5 hours (0.5 h to 10 h) or in increments of 1 hour (10 h to 24 h) <i>Automatic switch-off</i> timer function in increments of 0.5 hours (0.5 h to 10 h) or in increments of 1 hour (10 h to 24 h)
28	Swing button	Switching the swing function on or off



### Info

An acoustic signal is emitted each time a setting is activated.

### Switching the device on

- Allow the device to rest for a time.
- Once you have completely installed the device as described in the Start-up chapter, you can switch it on.
- Press the *On / Off* button (21).  
 ⇒ The device will be switched on in *cooling* mode.
- Select the desired operating mode.

The device automatically deactivates the operating modes *cooling* and *dehumidification* when the condensation tray is full. The segment display shows P1 and acoustic signal is emitted eight times.

### Setting the operating mode

The device has the following operating modes:

- cooling
- dehumidification
- ventilation
- automatic operation

### Cooling

In *cooling* mode the room will be cooled down to the desired target temperature.

- Press the *Mode* button (26) until the *Cool* LED (14) is illuminated.  
 ⇒ *Cooling* mode is selected.  
 ⇒ The target temperature is indicated on the segment display (15).
- Select the desired target temperature by use of the *Decrease value* (25) or *Increase value* (24) button. Temperatures between 17 °C and 30 °C can be selected.  
 ⇒ The desired target temperature is indicated on the segment display (15).

**Dehumidification**

In *dehumidification* mode the humidity level in the room is reduced.

The temperature cannot be adjusted and the fan runs at the lowest speed level.



**Info**

Remove the exhaust air hose during *dehumidification*, otherwise the performance will be insufficient.

1. Press the *Mode* button (26) until the *Dry* LED (14) is illuminated.
  - ⇒ *Dehumidification* mode is selected.
  - ⇒ The current room temperature is indicated on the segment display (15).
  - ⇒ The temperature and the fan stage (stage 1) are preset in this operating mode and cannot be changed.



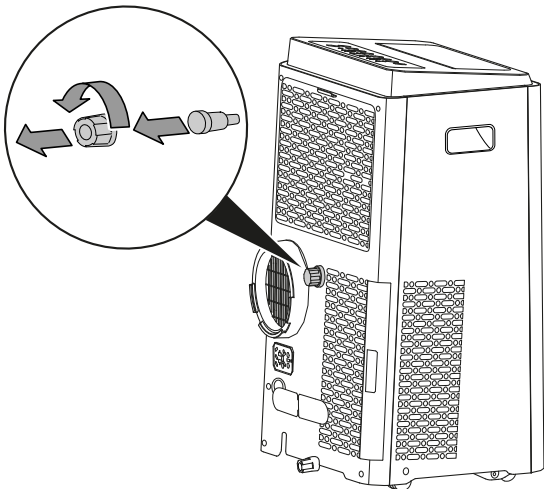
**Info**

If the device is operated in a very humid environment, the accumulating condensate must be discharged at regular intervals (see chapter *Condensate discharge*).

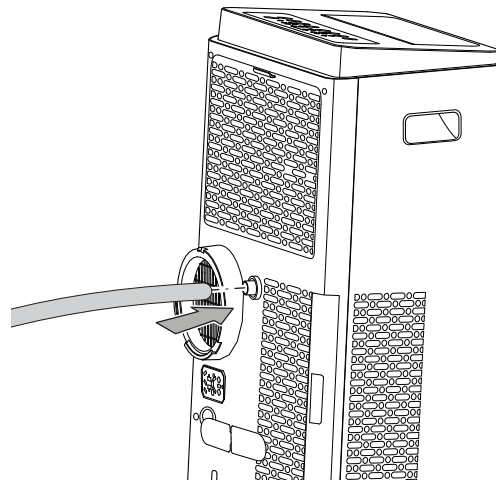
**Connecting the condensation drain hose**

If you use the device for an extended period of time or you don't want to empty the tank all the time, you can connect a condensation drain hose to the hose connection.

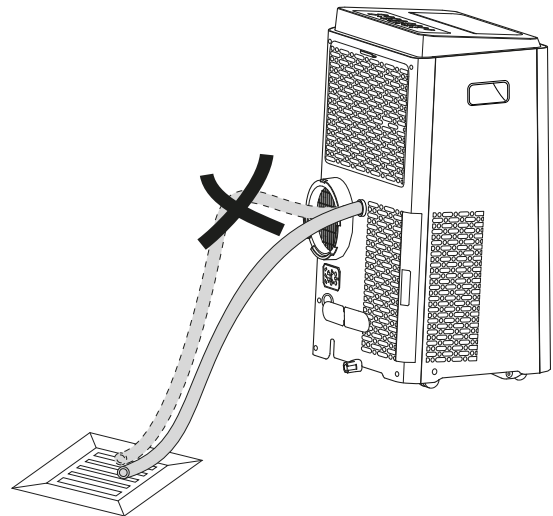
- ✓ The device is switched off.
  - ✓ The device is disconnected from the mains.
1. Carefully transport or wheel the device to a suitable location for discharging the condensate (e.g. a drain) or position a suitable collection container under the condensate outlet.
  2. Unscrew the sealing cap counter-clockwise from the hose connection (11).
  3. Remove the rubber stopper from the hose connection.



4. Keep sealing cap and rubber stopper for later use.
5. Connect the condensation drain hose to the hose connection (11).



6. Guide the other hose end to a suitable drain or sufficiently dimensioned collection container. To ensure that the condensate can run off, the condensation drain hose must not be kinked, nor should it have to overcome an uphill incline towards the drain.



**Ventilation**



**Info**

Remove the exhaust air hose during *ventilation*.

In *ventilation* mode the room air is circulated, but not cooled.

1. Press the *Mode* button (26) until the *Fan* LED (14) is illuminated.
  - ⇒ *Ventilation* mode is selected.
  - ⇒ The current room temperature is indicated on the segment display (15).

2. Press the *Speed* button (23) to set the desired fan stage.
  - ⇒ The *fan speed* LED (18) indicates the selected fan stage. When the automatic stage is activated, none of the *fan speed* LEDs (18) is illuminated.
  - ⇒ The *Fan* LED (14) will be illuminated to indicate ventilation mode.

### Automatic operation

In *automatic operation* mode the *cooling* or *ventilation* process will be regulated depending on the ambient temperature and the target temperature.

1. Press the *Mode* button (26) until the *Auto* LED (14) is illuminated.
  - ⇒ If the difference between the ambient and target temperature is  $\geq 2$  °C, the device automatically switches over to cooling operation. The LEDs *Auto* (14), *Cool* (14), *On / Off* (20) and possibly *Degrees Celsius* (16) are illuminated. When combining automatic and cooling operation, the fan speed is regulated automatically.
  - ⇒ If the difference between the ambient and target temperature is  $< 2$  °C, the device automatically switches over to fan operation. The LEDs *Auto* (14), *Fan* (14) and possibly *Degrees Celsius* (16) are illuminated. When combining automatic and fan operation, the fan speed is regulated automatically.

### Setting the timer

The timer has two modes of operation:

- automatic switch-on upon expiry of a preset number of hours.
- automatic switch-off upon expiry of a preset number of hours.

This setting can be made at the device or using the remote control.

*Automatic switch-on* and *automatic switch-off* may be enabled at the same time. The *Timer* LEDs (13) on the control panel will then be illuminated simultaneously. When using the remote control for setting, *Timer On* and *Timer Off* (35) will additionally be shown on the display (30) simultaneously.

The function can be set in all operating modes and also during stand-by.

The number of hours can be set in increments of 0.5 hours (0.5 h to 10 h) or in increments of 1 hour (10 h to 24 h).

#### Note

Do not leave the operating device unattended in a freely accessible room with an activated timer.

### Automatic switch-on

- ✓ The device is switched off.
  1. Press the *Timer* button (27) until the *Timer On* LED (13) is illuminated.
  2. Set the desired number of hours by use of the *Increase value* (24) and *Decrease value* (25) buttons.
    - ⇒ The number of hours will be indicated on the segment display (15) for approx. 5 s.
    - ⇒ The timer setting equals the desired number of hours.
    - ⇒ After the predefined time, the device switches itself on.

Notes regarding automatic switch-on:

- If the device is disconnected from the power supply, all settings for automatic switch-on are deleted.
- Manually switching the device on disables the automatic switch-on function.
- If you select **0** hours, the timer will be off.

### Automatic switch-off

- ✓ The device is switched on.
  1. Press the *Timer* button (27) until the *Timer Off* LED (13) is illuminated.
  2. Set the desired number of hours by use of the *Increase value* (24) and *Decrease value* (25) buttons.
    - ⇒ The number of hours will be indicated on the segment display (15) for approx. 5 s.
    - ⇒ The timer setting equals the desired number of hours.
    - ⇒ After the predefined time, the device switches itself off.

Notes regarding automatic switch-off:

- Pressing the *On / Off* button (21) deactivates the automatic switch-off function.

### Night mode

Night mode can be activated in *cooling* mode and during *automatic operation*.

Night mode comes with the following settings:

- After 1 hour the preset temperature is increased by 1 °C. After another 30 minutes the preset temperature will again be increased by 1 °C. Then the temperature is kept constant for 7 hours before the device sets the original temperature automatically.
- In *automatic* mode, the fan speed is preset to the lowest stage and cannot be adjusted. In *cooling* mode, the fan speed can be changed, which disables night mode.

To activate night mode, please proceed as follows:

1. Select *cooling* mode or *automatic operation*.
2. Press the *Sleep* button (22).
  - ⇒ The *Operating mode* (14) and *Sleep* LEDs (19) light up.
3. In order to switch the night mode off, press the *Sleep* button (22) once again.
  - ⇒ The *Sleep* LED (19) turns off.
  - ⇒ The selected operating mode remains active.

### Swing function

The swing function can be switched on in any operating mode if required.

By means of the swing function, the air outlet (4) is moved automatically and thus ensures continuous air circulation.

1. Press the *Swing* button (28).  
 ⇒ The ventilation flaps move up and down continuously.
2. Press the *Swing* button (28) again to stop the ventilation flaps in a certain position and to switch off the swing function.

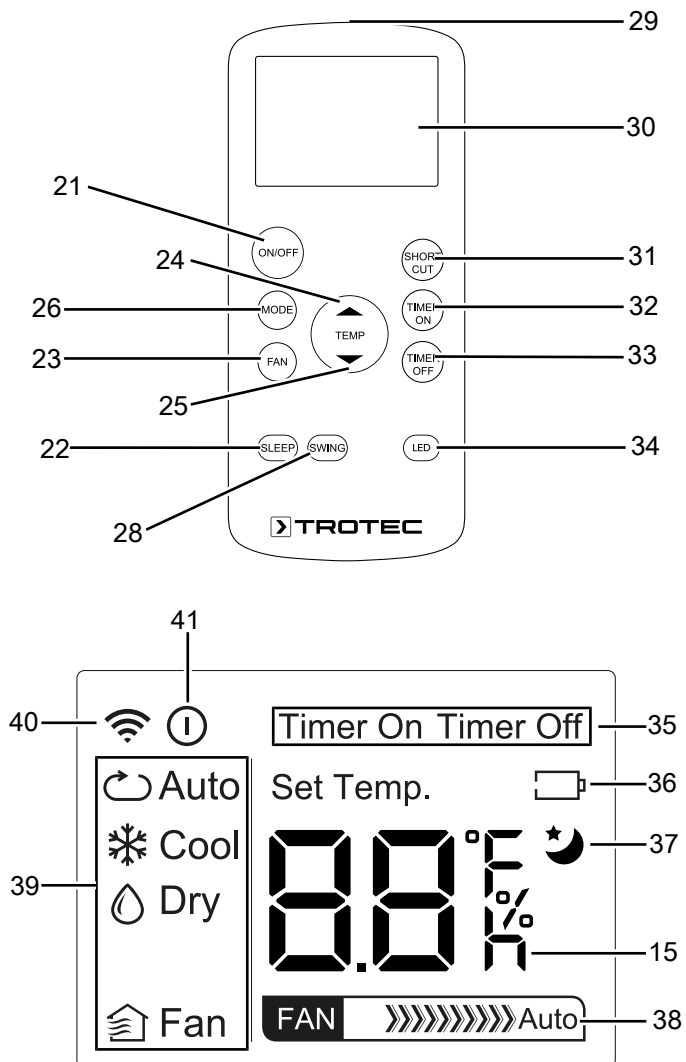
### Operation with the remote control

All settings of the device can also be made using the remote control included in the scope of delivery.



#### Info

After a longer period of non-use, the remote control will switch to standby mode. Standby mode can be terminated by pressing the *ON / OFF* button (21) on the remote control. The device automatically uses the current settings entered via the remote control.



No.	Designation	Meaning
15	Segment display	Display of current room temperature Indication of the target temperature Indication of the number of hours during timer programming Indication of preferred settings °C indication
21	<i>ON / OFF</i> button	Switching the device on and off
22	<i>SLEEP</i> button	Switching <i>night mode</i> on and off
23	<i>FAN</i> button	Setting the fan speed
24	Increase value button	Increasing the target temperature (17 °C to 30 °C) for cooling
25	Decrease value button	Reducing the target temperature (17 °C to 30 °C) for cooling
26	<i>MODE</i> button	Selecting the operating mode: <i>automatic operation</i> <i>cooling</i> <i>dehumidification</i> <i>ventilation</i>
28	<i>SWING</i> button	Switching the swing function on or off
29	Remote control transmitter/receiver	For infrared transmission to the device
30	Display	Indication of different device functions
31	<i>SHORT CUT</i> button	Saving preferred settings Returning to the previous setting
32	<i>TIMER ON</i> button	<i>Automatic switch-on</i> timer function in increments of 0.5 hours (0 to 10 h) or in increments of 1 hour (10 to 24 h)
33	<i>TIMER OFF</i> button	<i>Automatic switch-off</i> timer function in increments of 0.5 hours (0 to 10 h) or in increments of 1 hour (10 to 24 h)
34	<i>LED</i> button	Switching the LEDs on the control panel on or off
35	<i>Timer On / Off</i> indication	Displayed for automatic switch-on/-off with programmed timer
36	<i>Battery</i> indication	Display of the battery charge
37	<i>Night mode</i> indication	Displayed when <i>night mode</i> is activated
38	<i>Fan</i> indication	Indicates the fan stage
39	Operating mode indication	Indicates the selected operating mode: <i>Cool</i> = cooling <i>Dry</i> = dehumidification <i>Fan</i> = ventilation <i>Auto</i> = automatic operation
40	<i>Transmission</i> indication	Displayed during communication between device and remote control

No.	Designation	Meaning
41	Standby indication	Displayed when the remote control is in standby mode.

### Switching the LEDs on the control panel on or off

The control panel illumination at the devices can be switched on and off.

This setting can only be made using the remote control.

1. Press the *LED* button (34).
  - ⇒ The LEDs and the segment display (15) on the control panel will be switched off.
  - ⇒ The device continues to run with the selected settings.
2. Press the *LED* button (34) again.
  - ⇒ The LEDs and the segment display (15) on the control panel will be switched back on.

### Saving preferred settings

You can save your preferred settings and return to the previous setting.

This setting can only be made using the remote control.

1. Press the *SHORT CUT* button (31) for 2 s.
  - ⇒ The display (30) goes blank for 1 s.
  - ⇒ The current settings including operating mode, target temperature, fan stage and night mode (if activated) will be saved.
2. Press the *SHORT CUT* button (31) for 1 s.
  - ⇒ The display (30) goes blank for 1 s.
  - ⇒ The device returns to the previous setting including operating mode, target temperature, fan stage and night mode (if activated).
3. In order to delete the settings, press the *SHORT CUT* button (31) again for 2 s.
  - ⇒ The display (30) goes blank for 1 s.
  - ⇒ The settings are now deleted.

### Memory function

After a power failure during operation the device will automatically be switched back on. The chosen operating mode settings will be saved, a possibly programmed timer will not.

All the chosen settings (incl. timer) remain saved on the remote control. As soon as the device receives an input from the remote control, the settings will be transmitted from the remote control to the device.

The compressor may start up with a delay of 3 min, as it is provided with an internal protection against direct restart.

### Energy saving

Upon reaching the preselected target temperature compressor and fan will be switched off automatically in order to reduce the power consumption. The *Energy saving mode* LED (17) is illuminated.

Once the preselected target temperature is exceeded, compressor and fan switch back on.

## Shutdown



### Warning of electrical voltage

Do not touch the mains plug with wet or damp hands.

- Switch off the device.
- Hold onto the mains plug while pulling the power cable out of the mains socket.
- Empty the condensation tray if necessary.
- If necessary, remove the condensation drain hose and any residual fluid from it.
- Clean the device according to the Maintenance chapter.
- Store the device according to the Storage chapter.

## Errors and faults

The device has been checked for proper functioning several times during production. If malfunctions occur nonetheless, check the device according to the following list.

### The device does not start:

- Check the power connection.
- Check the power cable and mains plug for damages.
- Check the on-site fusing.
- Observe the operating temperature according to the Technical data chapter.
- Wait for 10 minutes before restarting the device. If the device is not starting, have the electricians checked by a specialist company or by Trotec.

### The device works with reduced or no cooling capacity:

- Check whether *cooling* mode is selected.
- Check the proper fit of the exhaust air hose. In case of kinks, bends or blockage in the hose, exhaust air cannot be discharged. Clear the way for the exhaust air.
- Check the position of the ventilation flaps. They should be opened to the maximum.
- Check the air filter(s) for dirt. If necessary, clean or replace the air filter(s).
- Check the minimum distance to walls or other objects. Position the device a little more in the room's centre if required.
- Check whether any windows and/or doors of the room are open. If so, close them. One window has to remain open for the exhaust air hose nonetheless.
- Check the temperature setting at the device. Reduce the set temperature if it is higher than the room temperature.

### The device is loud or vibrates:

- Check whether the device is set up in a stable and upright position.

### Condensate is leaking:

- Check the device for leaks.

### The compressor does not start:

- Check whether the overheating protection of the compressor has tripped. Disconnect the device from the mains and let it cool down for approx. 10 minutes before reconnecting it.
- Check whether the ambient temperature equals the target temperature (in *cooling* mode). The compressor will not switch on unless the respective temperature is reached.
- The compressor may start up with a delay of 3 min, as it is provided with an internal protection against direct restart.

### The device gets very warm, is loud or loses power:

- Check the air inlets and air filters for dirt. Remove external dirt.
- From the outside, check the device for dirt (see chapter Maintenance). If the inside of the device is dirty, have it cleaned by a specialist company for cooling and air-conditioning or by Trotec.

### The device does not respond to the infrared remote control:

- Check whether the distance between remote control and device is too large and reduce it if necessary.
- Make sure there are no obstacles, such as furniture or walls, between the device and the remote control. Ensure visual contact between device and remote control.
- Check the charging status of the batteries and change them if required.
- If the batteries have only just been changed, check them for correct polarity and change them if required.
- Check whether the remote control is still in standby mode. Standby mode can be terminated by pressing the *On / Off* button (21) on the remote control.

#### Note

Wait for at least 3 minutes after maintenance and repair work. Only then switch the device back on.

### Your device still does not operate correctly after these checks?

Please contact the customer service. If necessary, bring the device to a specialist company for cooling and air-conditioning or to Trotec for repair.

### Error codes

The following error messages can be displayed on the segment display (15):

Error code	Cause	Remedy
E1	Error at the room temperature sensor	Disconnect the device briefly from the mains. Should the error still be displayed after the restart, please contact the customer service.
E2	Error at the evaporator temperature sensor	
E3	Error at the condenser temperature sensor	
E4	Error at the control panel	
P1	Condensation tank full	Empty the condensation tank. Should the error still be displayed, please contact the customer service.

If several errors occur simultaneously, the device displays the error code with the highest priority.

## Maintenance

## Maintenance intervals

Maintenance and care interval	before every start-up	as needed	at least every 2 weeks	at least every 4 weeks	at least every 6 months	at least annually
Check the air inlets and outlets for dirt and foreign objects and clean if necessary	X			X		
Clean the exterior		X				X
Visually check the inside of the device for dirt		X				X
Check the air filter for dirt and foreign objects and clean or replace if necessary	X		X			
Replace the air filter					X	
Check for damage	X					
Check the attachment screws		X				X
Test run						X
Empty the condensation tray and drain hose		X				

## Maintenance and care log

Device type: .....

Device number: .....

Maintenance and care interval	1	2	3	4	5	6	7	8	9	10	11	12	13	14	15	16
Check air inlets and outlets for dirt and foreign objects and clean if necessary																
Clean the exterior																
Visually check the inside of the device for dirt																
Check the air filter for dirt and foreign objects and clean or replace if necessary																
Replace the air filter																
Check for damage																
Check the attachment screws																
Test run																
Empty the condensation tray and drain hose																
Comments																

1. Date: ..... Signature: .....	2. Date: ..... Signature: .....	3. Date: ..... Signature: .....	4. Date: ..... Signature: .....
5. Date: ..... Signature: .....	6. Date: ..... Signature: .....	7. Date: ..... Signature: .....	8. Date: ..... Signature: .....
9. Date: ..... Signature: .....	10. Date: ..... Signature: .....	11. Date: ..... Signature: .....	12. Date: ..... Signature: .....
13. Date: ..... Signature: .....	14. Date: ..... Signature: .....	15. Date: ..... Signature: .....	16. Date: ..... Signature: .....

**Activities required before starting maintenance**



**Warning of electrical voltage**

Do not touch the mains plug with wet or damp hands.

- Switch the device off.
- Hold onto the mains plug while pulling the power cable out of the mains socket.



**Warning of electrical voltage**

**Tasks which require the housing to be opened must only be carried out by authorised specialist companies or by Trotec.**

**Refrigerant circuit**



**Danger**

**Natural refrigerant propane (R290)!**

H220 – Extremely flammable gas.  
H280 – Contains gas under pressure; may explode if heated.

P210 – Keep away from heat, sparks, open flames and other ignition sources. No smoking.

P377 – Leaking gas fire: Do not extinguish, unless leak can be stopped safely.

P410+P403 – Protect from sunlight. Store in a well-ventilated place.

- The entire refrigerant circuit is a maintenance-free, hermetically sealed system and may only be maintained or repaired by specialist companies for cooling and air-conditioning or by Trotec.

**Safety signs and labels on the device**

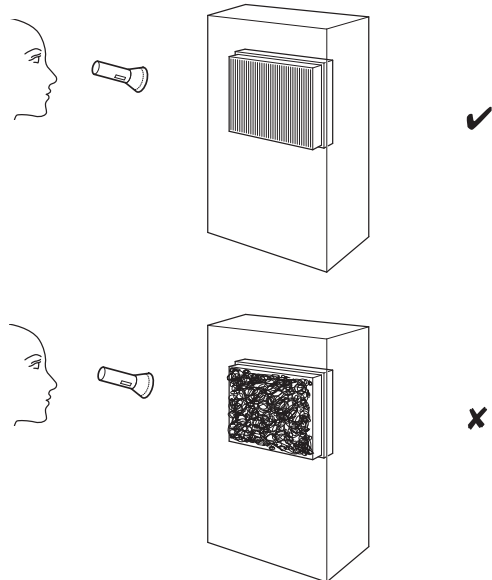
Check the safety signs and labels attached to the device at regular intervals. Replace illegible safety signs!

**Cleaning the housing**

Clean the housing with a soft, damp and lint-free cloth. Ensure that no moisture enters the housing. Protect electrical components from moisture. Do not use any aggressive cleaning agents such as cleaning sprays, solvents, alcohol-based or abrasive cleaners to dampen the cloth.

**Visual inspection of the inside of the device for dirt**

1. Remove the air filter.
2. Use a torch to illuminate the openings of the device.
3. Check the inside of the device for dirt.
4. If you see a thick layer of dust, have the inside of the device cleaned by a specialist company for cooling and air-conditioning or by Trotec.
5. Put the air filter back in.



**Cleaning the air filter**

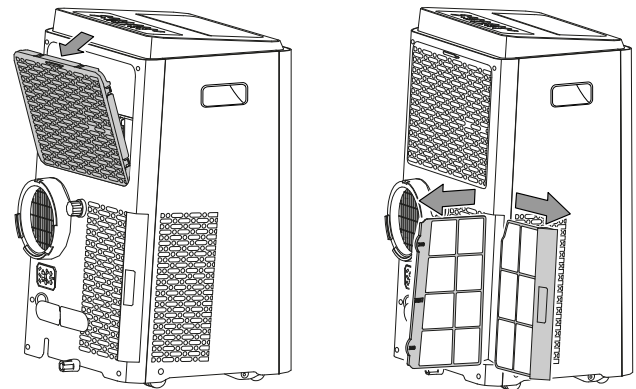
The air filters have to be cleaned as soon as they are dirty. This is brought to light e.g. by a reduced capacity (see chapter Errors and faults).



**Warning**

Ensure that the air filters are neither worn nor damaged. The corners and edges of the air filters must not be deformed or rounded. Before reinserting the air filters, make sure that they are undamaged and dry!

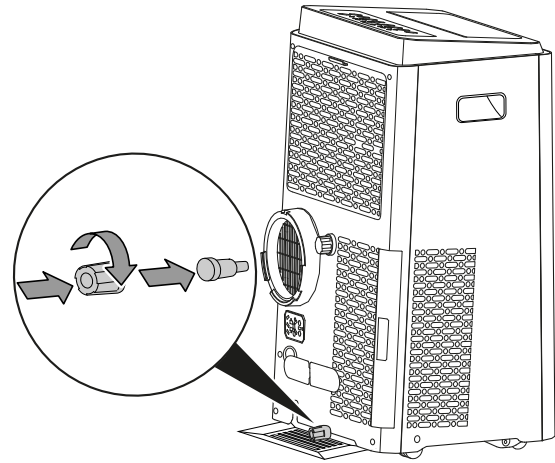
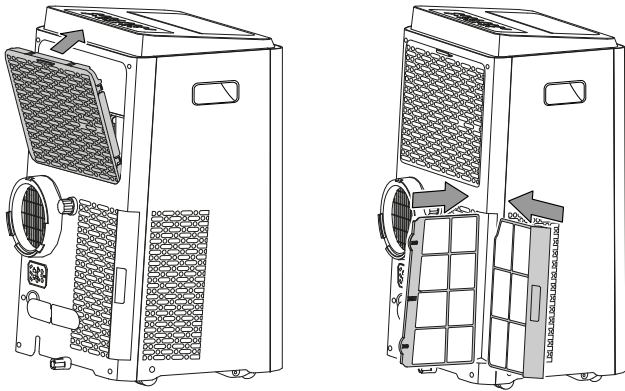
1. Remove the air filters from the device.





2. Clean the filters using a slightly damp, soft, lint-free cloth. If the filters are heavily contaminated, clean them with warm water mixed with a neutral cleaning agent.
3. Allow the filters to dry completely. Do not put any wet filters into the device!
4. Reinsert the air filters into the device.

3. Drain the condensate.
4. Reinsert the rubber stopper in the condensate outlet and reattach the sealing cap. Ensure the tight fit of the rubber stopper, for otherwise there might be uncontrolled water leakage.



### Condensate discharge (manual draining)

In *cooling* and *dehumidification* mode condensate is formed, which is mostly discharged via the exhaust air.

The remaining condensate is collected in a container within the housing. The condensate ought to be drained regularly.

If too much condensate accumulates, the device switches off and indicates this via the P1 error code on the segment display (15).

1. Carefully transport or wheel the device to a suitable location for discharging the condensate (e.g. a drain) or position a suitable collection container under the condensate outlet.
2. Remove sealing cap and rubber stopper from the condensate outlet.

⇒ The P1 error code on the segment display (15) will disappear as soon as the condensate has been drained.

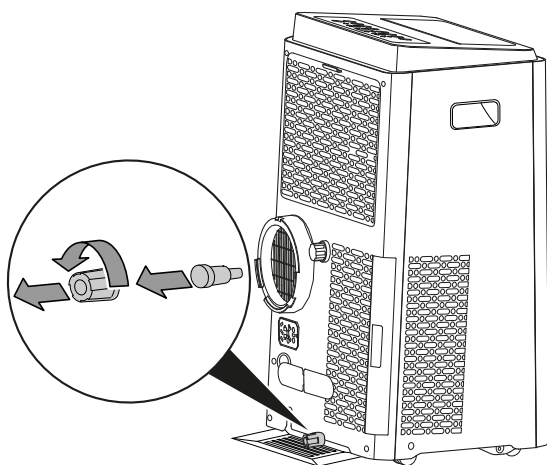
### Activities required after maintenance

If you want to continue using the device:

- Leave the device to rest for 12 to 24 hours, so the refrigerant can accumulate within the compressor. Wait 12 to 24 hours before switching the device back on! Acting contrary might lead to compressor damage and a malfunctioning device. If so, any warranty claims will be voided.
- Reconnect the device to the mains.

If you do not intend to use the device for a considerable time:

- Store the device according to the Storage chapter.

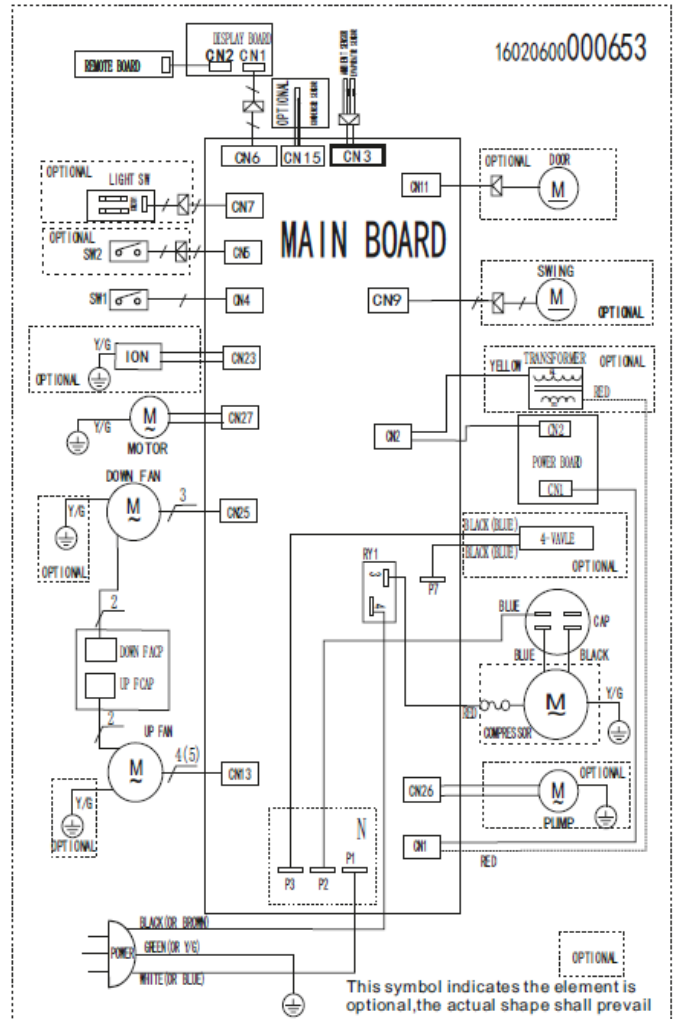


**Technical annex**

**Technical data**

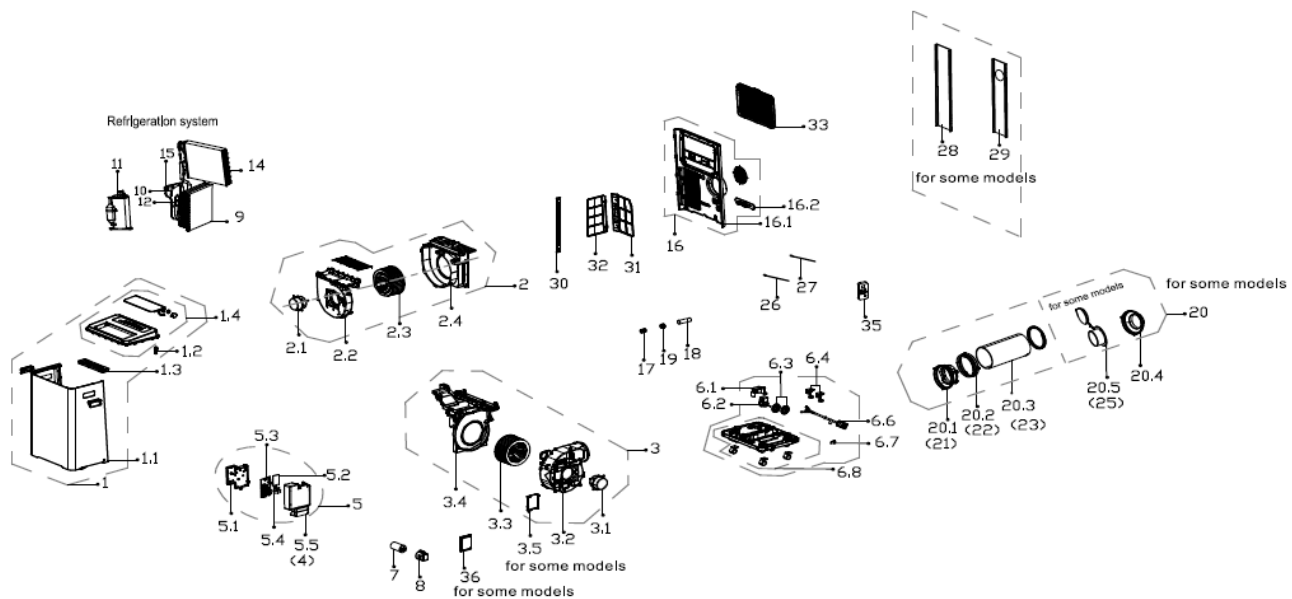
Model	PAC 3900 X
Cooling capacity	3.9 kW
Dehumidification performance	0.16 l/h
Operating temperature	17 °C to 35 °C
Temperature setting range	17 °C to 30 °C
Max. air volume flow	420 m <sup>3</sup> /h
Pressure suction side	1 MPa
Pressure outlet side	2.6 MPa
Mains supply	1/N/PE~ 220 V - 240 V / 50 Hz
Nominal current	8.6 A
Max. power input	1.9 kW
Power input (cooling operation)	1.5 kW
Sound pressure level	52.5 dB(A)
Refrigerant	R290
Amount of refrigerant	280 g
GWP factor	3
CO <sub>2</sub> equivalent	0.00084 t
Dimensions (length x width x height)	470 x 400 x 760 mm
Minimum distance to walls and other objects:	top (A): 30 cm rear (B): 30 cm sides (C): 30 cm front (D): 30 cm
Weight	35 kg
Remote control batteries	Type LR03 / AAA – 1.5 V (2 pcs.)

**Circuit diagram**



## Overview and list of spare parts

**Note:** The position numbers of the spare parts differ from those describing the positions of the components mentioned in these instructions.



No.	Part Name	Quantity	No.	Part Name	Quantity
1	Front panel assembly	1	6.7	Drain stopper	1
1.1	Front panel subassembly	1	6.8	Chassis subassembly	1
1.2	Signal receiving window	1	7	Capacitor of compressor	1
1.3	Display box	1	8	Capacitor box	1
1.4	Upper panel subassembly	1	9	Condenser Assembly	1
2	Cover of Air exhaust volute shell assembly	1	10	Suction pipe assembly	1
2.1	Single phase asynchronous motor	1	11	Fixed Speed Rotary Compressor	1
2.2	subassembly of Fan Shell Cover	1	12	Discharge pipe assembly	1
2.3	centrifuge fan	1	14	Evaporator assembly	1
2.4	Air outlet volute shell	1	15	Capillary Assembly	1
3	Air outlet volute shell assembly	1	16	Rear panel assembly	1
3.1	Single phase asynchronous motor	1	16.1	Rear panel subassembly	1
3.2	Cover of Air exhaust volute shell	1	16.2	Bobbin winder	1
3.3	Centrifuge fan	1	17	Cover of Drain connector(outdoor)	1
3.4	Air exhaust volute shell subassembly	1	18	Drain pipe	1
4	E-Box Cover	1	19	Drain connection	1
5	Electronic control box subassembly	1	21	Connector, air excaust duct	1
5.1	Electronic control box subassembly	1	22	Connector, air exhaust duct	1
5.2	Inverter control board subassembly	1	23	Exhaust hose subassembly	1
5.3	Main control board subassembly	1	25	Connector, air excaust duct	1
5.4	Capacitor auxiliary board subassembly	1	26	Pipe temperature sensor	1
6	Chassis assembly	1	27	Room Temperature Sensor	1
6.1	cover of Shaded pole motor	1	30	Supporting bar	1
6.2	Shaded-pole motor	1	31	Outside inlet air frame unit	1
6.3	Water Wheel	2	32	Down filter	1
6.4	Water Level Switch	1	33	Indoor air inlet grille	1
6.6	Power cord subassembly	1	35	Remote controller	1

## Disposal



The icon with the crossed-out waste bin on waste electrical or electronic equipment stipulates that this equipment must not be disposed of with the household waste at the end of its life. You will find collection points for free return of waste electrical and electronic equipment in your vicinity. The addresses can be obtained from your municipality or local administration. For further return options provided by us please refer to our website [www.trotec24.com](http://www.trotec24.com).

The separate collection of waste electrical and electronic equipment aims to enable the re-use, recycling and other forms of recovery of waste equipment as well as to prevent negative effects for the environment and human health caused by the disposal of hazardous substances potentially contained in the equipment.

Have the refrigerant (propane) disposed of appropriately and according to the national regulations by a company with the relevant certification (European Waste Catalogue 160504).

In the European Union, batteries and accumulators must not be treated as domestic waste, but must be disposed of professionally in accordance with Directive 2006/66/EC of the European Parliament and of the Council of 6 September 2006 on batteries and accumulators. Please dispose of batteries and accumulators according to the relevant legal requirements.

Trotec GmbH & Co. KG

Grebener Str. 7  
D-52525 Heinsberg

☎ +49 2452 962-400

☎ +49 2452 962-200

✉ [info@trotec.com](mailto:info@trotec.com)

[www.trotec.com](http://www.trotec.com)