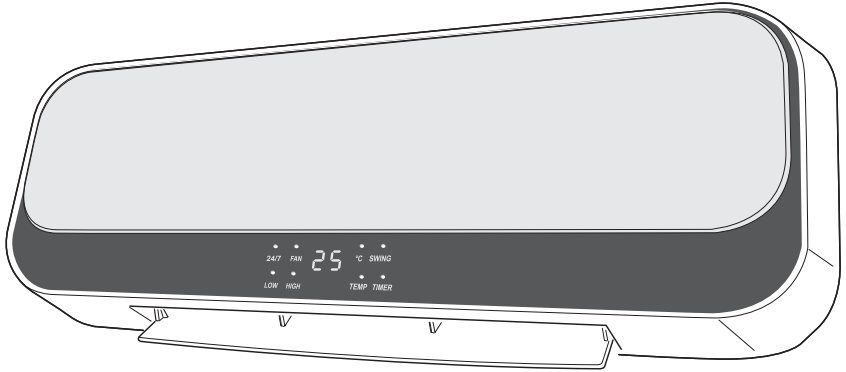


CALDO UP T



ISTRUZIONI PER INSTALLAZIONE, USO E MANUTENZIONE

IT

IL PRESENTE PRODOTTO È ADATTO SOLO A AMBIENTI CORRETTAMENTE ISOLATI O AD USO OCCASIONALE

INSTRUCTIONS FOR INSTALLATION, USE AND MAINTENANCE

EN

THIS PRODUCT IS ONLY SUITABLE FOR WELL INSULATED SPACES OR OCCASIONAL USE

INSTRUCTIONS POUR L'INSTALLATION, L'EMPLOI ET L'ENTRETIEN

FR

CE PRODUIT NE PUEUT ÊTRE UTILISÉ QUE DANS DES LOCAUX BIEN ISOLÉS OU DE MANIÈRE OCCASIONELLE

INSTALLATIONS, BEDIENUNGS AND WARTUNGSANWEISUNGEN

DE

DIESES PRODUKT IST NUR FÜR GUT ISOLIERTE RÄUME ODER FÜR DEN GELEGENTLICHEN GEBRAUCHT GEEIGNET

INSTRUCCIONES PARA LA INSTALACIÓN, USO Y MANTENIMIENTO

ES

ESTE PRODUCTO ESTÁ INDICADO ÚNICAMENTE EN LUGARES ABRIGADOS O PARA UNA UTILIZACIÓN PUNTUAL

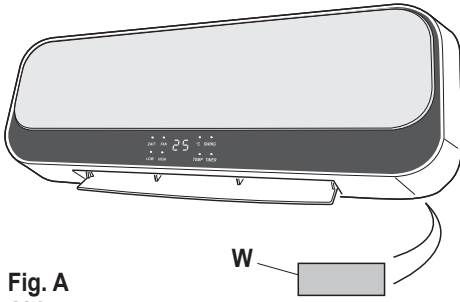


Fig. A
Abb.

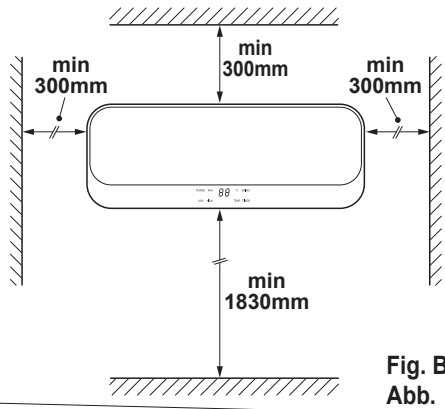


Fig. B
Abb.

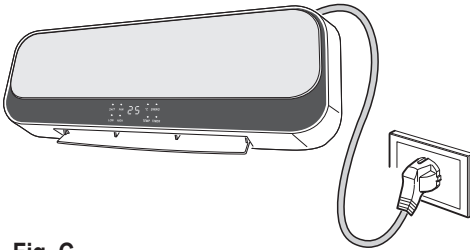


Fig. C
Abb.

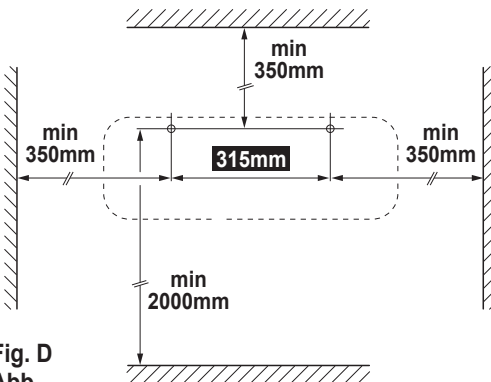
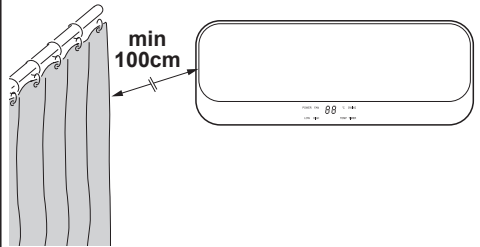


Fig. D
Abb.

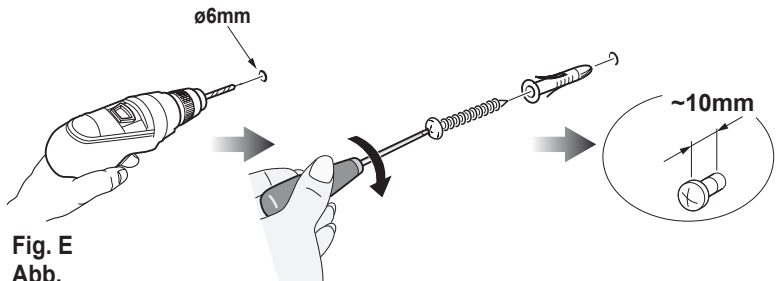
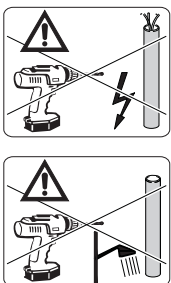
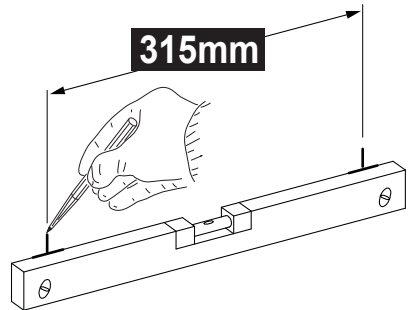


Fig. E
Abb.

ILLUSTRATIONS

Illustrations are grouped in the second and penultimate pages of the manual.



MAIN INDEX

The main index of this manual is given on page “EN-4”



1 - GENERAL INFORMATION

We wish to thank you, first of all, for purchasing an appliance produced by our company.

This document is restricted in use to the terms of the law and may not be copied or transferred to third parties without the express authorization of the manufacturer. Our machines are subject to change and some parts may appear different from the ones shown here, without this affecting the text of the manual in any way.



Read this manual carefully before performing any operation (installation, maintenance, use) and follow the instructions contained in each chapter.

Keep the manual carefully for future reference.

After removing the packaging, check that the appliance is in perfect condition. The packaging materials must not be left within reach of children as they can be dangerous



THE MANUFACTURER IS NOT RESPONSIBLE FOR DAMAGES TO PERSONS OR PROPERTY CAUSED BY FAILURE TO FOLLOW THE INSTRUCTIONS IN THIS MANUAL.

The manufacturer reserves the right to make any changes it deems advisable to its models, although the essential features described in this manual remain the same.



During installation and maintenance, respect the precautions indicated in the manual, and on the labels applied inside the units, as well as all the precautions suggested by good sense and by the safety regulations in effect in your country.

2 - SYMBOLS

The pictograms in the next chapter provide the necessary information for correct, safe use of the machine in a rapid, unmistakable way.

2.1 - Editorial pictograms



Service

Refers to situations in which you should inform the SERVICE department in the company:

CUSTOMER TECHNICAL SERVICE.



Index

Paragraphs marked with this symbol contain very important information and recommendations, particularly as regards safety. Failure to comply with them may result in:

- danger of injury to the operators
- loss of the warranty
- refusal of liability by the manufacturer.



Raised hand

Refers to actions that absolutely must not be performed.



DANGER OF HIGH VOLTAGE

Signals to the personnel that the operation described could cause electrocution if not performed according to the safety rules.



GENERIC DANGER

It informs the personnel concerned that if the operation is not carried out in compliance with the safety regulations, it presents the risk of suffering physical damage.



DANGER DUE TO HEAT

It informs the personnel concerned that if the operation is not carried out in compliance with the safety regulations, it presents the risk of burns due to contact with components at very high temperatures.



DO NOT COVER

Indicates to the personnel concerned, that it is prohibited to cover the appliance, to prevent over-heating.



ATTENTION

- Indicates that this document must be read carefully before installing and/or using the appliance.
- Indicates that the assistance personnel must handle the appliance following the installation manual.



ATTENTION

- Indicates that there may be additional information in attached manuals.
- Indicates that information is available in the user manual or in the installation manual.



DISPOSAL

This symbol on the product or its packaging indicates that the appliance cannot be treated as normal domestic trash, but must be handed in at a collection point for recycling electric and electronic appliances.

Your contribution to the correct disposal of this product protects the environment and the health of your fellow men. Health and the environment are endangered by incorrect disposal.

Further information about the recycling of this product can be obtained from your local town hall, your refuse collection service, or in the store at which you bought the product.

This regulation is valid only in EU member states.

3 - INDEX

1 - GENERAL INFORMATION.....	1
2 - SYMBOLS.....	2
3 - INDEX	4
4 - GENERAL WARNINGS	4
5 - DESCRIPTION OF THE APPLIANCE.....	9
6 - APPLIANCE INSTALLATION.....	10
7 - DESCRIPTION OF THE REMOTE CONTROL	12
8 - CONTROL BUTTONS AND DISPLAY	14
9 - FUNCTIONING	16
10 - CLEANING.....	23
11 - TECHNICAL DATA	24

4 - GENERAL WARNINGS

**WHEN USING ELECTRICAL APPLIANCES,
BASIC SAFETY PRECAUTIONS SHOULD ALWAYS BE FOLLOWED
TO REDUCE THE RISK OF FIRE, ELECTRIC SHOCK,
AND INJURY TO PERSONS, INCLUDING THE FOLLOWING:**



This product should be used only in accordance with the specifications outlined in this manual. Usage other than what has been specified here may result in serious injury.



This document is restricted in use to the terms of the law and may not be copied or transferred to third parties without the express authorization of the manufacturer, OLIMPIA SPLENDID.

- **CAUTION:** This is an electrical appliance and requires attention when in use.
- **CAUTION:** To reduce the risk of severe burns, keep this product out of the reach of children and pets.
- **CAUTION:** Do not allow children to play with any product packaging such as plastic bag.



Disassembly, repair or remodelling by an unauthorized person may result in serious harm and will void the manufacturer's warranty.



Before connecting, make sure that the plate data corresponds with the mains electrical supply.



The plate (W) is located on the back of the appliance (figure A). Install it according to the manufacturer's instructions. An incorrect installation can cause damage to people, animals or property for which the manufacturer accepts no responsibility.



- Always and only use it in a horizontal position.
 - Position it, so that the air flow, both inlet and outlet, is free of obstacles.
- If the power cord is damaged, it must be replaced by the manufacturer, his technical service or a similarly qualified person in order to eliminate all possible risks.**
- Install it in such a way that the switches and other controls cannot be reached by persons using the bath or shower.**

- Do not use extensions.
- Keep all objects at least 1.5 meter from the front, sides and rear of the appliance.
- Do not place appliance close to a radiant heat source.
- Do not operate in areas where gasoline, paint or other flammable liquids are used or stored.
- Do not use the appliance to dry clothes.



Do not insert or allow foreign objects to enter any ventilation or exhaust opening, as this may cause an electric shock, fire or damage to the appliance.



- This appliance is intended for household use only  ; not for commercial or industrial use.



Use this appliance only as described in this manual. Any other use is not recommended by the manufacturer and may cause fire, electric shock or injury.



- The most common cause of overheating is deposits of dust or fluff in the appliance. Ensure these deposits are removed regularly by unplugging the appliance and vacuum cleaning air vents and grilles.



Do not use abrasive cleaning products on this appliance. Clean with a damp cloth (not wet) rinsed in hot soapy water only. Always remove plug from the mains supply before cleaning.

- Do not connect the appliance to the mains voltage until completely assembled and adjusted.



This appliance heats up slightly when in use. To avoid burns, do not let bare skin touch hot surfaces.

- Do not remove plug from power socket until the appliance has been switched off.
- Do not allow cord to come in contact with heated surfaces during operation.
- Do not twist, kink or wrap the cord around the appliance, as this may cause the insulation to weaken and split.
- Do not use this appliance outdoors, or on wet surfaces. Avoid spilling liquid on the appliance. Do not leave it exposed to atmospheric agents (rain, sun, etc.).
- Do not use this heater with programmer, timer or any other device that switches the heater on automatically since a fire risk exists if the heater is covered or positioned incorrectly.
- Do not operate the heater near curtains, as the material could be sucked into the air vents.
- It is forbidden to dispose of or leave in the reach of children the packaging materials which could become a source of danger.
- The appliance may be used by children over 8 years of age and by persons with reduced physical, sensory or mental capacities, or without the required experience or knowledge, provided they are supervised or have been instructed in the safe use of the appliance and understand the hazards involved.
- Children must not play with equipment.
- Children must not be allowed to clean the appliance or perform user maintenance without proper supervision.
- Do not use this heater in the immediate surroundings of a bath, a shower or a swimming pool.



WARNING: in order to avoid overheating, do not cover the heater.



- Make these instructions known to all the personnel involved in transport and installation of the appliance.
- **THE MANUFACTURER IS NOT RESPONSIBLE FOR DAMAGES TO PERSONS OR PROPERTY CAUSED BY FAILURE TO FOLLOW THE INSTRUCTIONS IN THIS MANUAL.**
- During installation and maintenance, respect the precautions indicated in the manual, and on the labels applied inside the units, as well as all the precautions suggested by good sense and by the safety regulations in effect in your country.
- In case of replacement of parts, use only original OLIMPIA SPLENDID parts.



If the appliance remains unused for a long period of time, or if nobody stays in the air-conditioned room, it is advised to disconnect power supply to avoid accidents. Do not pull the power cable or the appliance itself to remove the plug from the mains socket.



Do not use liquid or corrosive detergents to clean the unit, do not spray water or other liquids onto the unit, since they could damage the plastic components or even cause electric shocks.



Do not wet the appliance and the remote control. Short circuits or fires could occur.



In the event of operating anomalies (e.g. strange noise, bad odour, smoke, abnormal temperature rise, electric dispersions, etc.) disconnect the electric power supply immediately. Contact the local dealer.



Do not plug or unplug the power supply plug during operation. Fire and electric shocks risk.



Do not touch (operation) the product with wet hands. Fire and electric shocks risk.



Do not block the air inlet or outlet; the product could be damaged.



Do not insert hands or other object through air inlet or outlet while the product is operated.



When there are gas leaks from other units, ventilate the room well before activating the air conditioner.

- After removing the packing, make sure that the appliance is complete, without visible damage that could have been caused during transport. In case of doubt, do not use the appliance and contact the authorised Technical Assistance centres.



The appliance is not equipped with a device to control the room temperature. Do not use this heater in small rooms when they are occupied by persons not capable of leaving the room on their own, unless constant supervision is provided.

4.1 - Proper use

- The appliance should be used for the exclusive purpose of producing hot air for the sole purpose of obtaining a comfortable temperature in the room.
- Improper use of the appliance causing damage to persons, property or animals relieve OLIMPIA SPLENDID of any liability.
- Control the appliance functions **ONLY** with the supplied remote controller.
- The appliance is equipped with a special function, activated by the user as required, which allows to detect the possible opening of a window and force the functioning in Anti frost mode to limit waste of energy.

4.2 - Unintended and potentially dangerous use

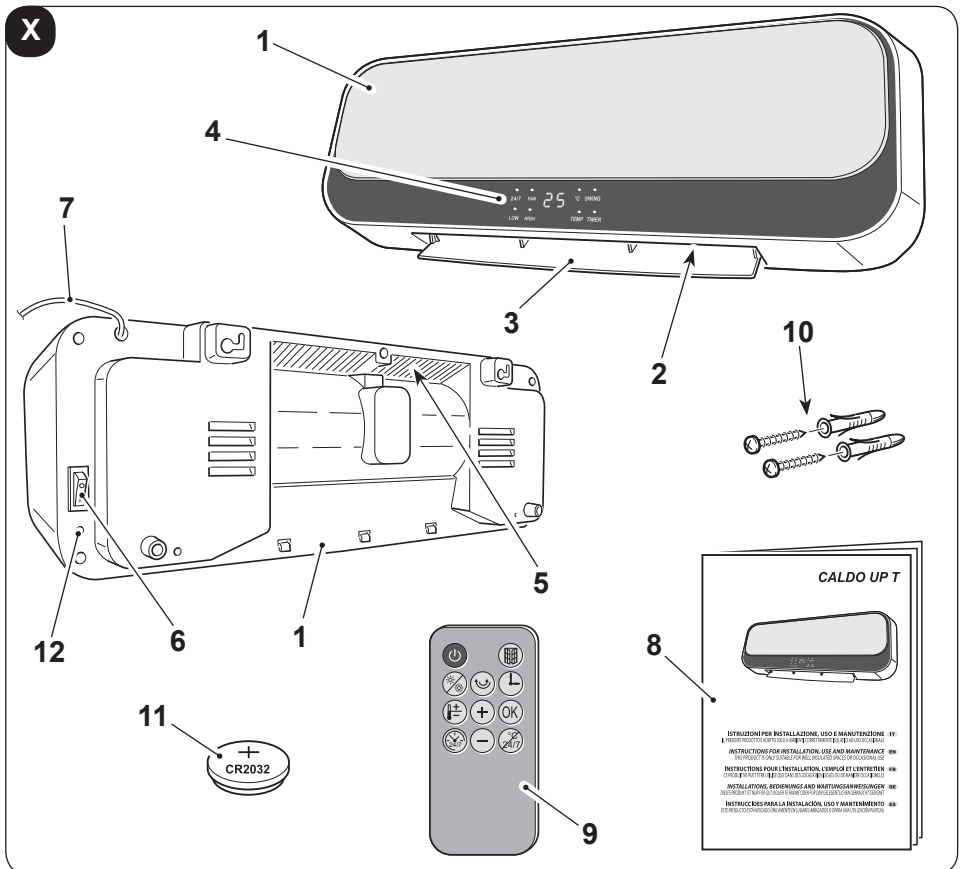
- The appliance **MUST** be installed as hereinafter described in this manual observing all the warnings described in the previous pages.
- **DO NOT** use gas, petrols or other inflammable liquids near the appliance.

5 - DESCRIPTION OF THE APPLIANCE

5.1 - Identification of the supplied main parts and components

The appliance is packed in a cardboard packaging.

1. Appliance
2. Air outlet grill
3. Air outlet flap
4. Display
5. Air inlet grill
6. Switch 0/I (OFF/ON)
7. Power cord
8. Instruction booklet
9. Remote control
10. Wall plugs and screws for the appliance wall fixing (3)
11. Remote control batteries (3V - type CR2025)
12. Manual operating **START/STOP** button



6 - APPLIANCE INSTALLATION

6.1 - Wall installation

After removing the packaging, make sure of the appliance integrity; in case of doubts, do not use it and please refer to professionally qualified personnel.

The appliance must be installed on a masonry or made of heat resistant material wall (not wooden or made of easily overheatable synthetic material).

For the correct installation, work as follows:



The appliance must be installed:

- **in such a way as to prevent the ON/OFF switch and the buttons from being touched by who is standing in the bathtub or in the shower.**
- **At a distance of at least 300 mm from walls**
- **At a distance of at least 1000 mm from flammable materials (curtains, textiles etc.)**



DO NOT install the appliance beneath power outlets.

Prepare a power outlet in the vicinity of the appliance making sure it's not too far in relation to the power cord length (figure C).

- a. Locate the area where the appliance is going to be installed.
- b. Create two due 6mm holes with a centres distance of 315mm (figure D).



The holes must be at least 2000mm away from the floor 350mm from the ceiling (figure D).



When piercing the wall, make sure that no electrical channels or water hoses are present.

- c. Insert the wall plugs in the holes and then fasten the supplied screws.
- d. **Do not** fasten the screws entirely; leave them approximately 10 mm away from the wall (figure E).



Make sure that the screws are well steady in the wall.

- e. Place the slots (X) on the rear part of the appliance on the screws pushing the appliance itself against the wall (figure F - phase 1).
- f. Push the appliance 10 mm towards the left (figure F - phase 2) then push it about 8÷10mm downwards (figure F - phase 3).
- g. Lastly, check that the appliance is steady and well attached to the wall.

6.2 - Electrical connection



- **Before connecting the appliance plug to the power outlet, make sure that the voltage values indicated on the data plate correspond to the mains supply ones and that the outlet is equipped with an efficient grounding.**
 - **In case of incompatibility between the outlet and the plug of the appliance, let the outlet be replaced with another one of the suitable type by professionally qualified personnel, which verify that the outlet cables section is suitable for the power absorbed by the appliance. Generally, it's not advised to use adapters and/or extension cords; if their use should become essential, they must comply with the current safety standards and their current capacity (A) mustn't be lower than the appliance maximum one.**
 - **The socket must be easily accessible so that the plug can be removed easily in an emergency.**
- a. Insert the plug in the power outlet.
 - b. Press "I" (ON) on the switch (6); the appliance is ready for use.



This product has a flap that opens automatically when the product is turned on and closes automatically when turned off.

- Do not move the flap with your hands. -

As this could damage or deform the unit. Open the flap with your hands only if it accidentally closes in part or in whole.

7 - DESCRIPTION OF THE REMOTE CONTROL

7.1 - Use of the remote control

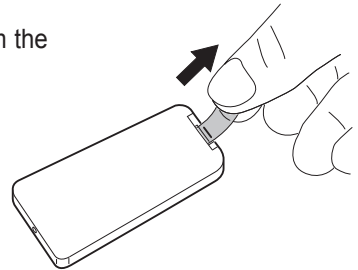
The remote control supplied with the air-conditioner is the instrument that enables you to use the appliance in the most convenient way. It should be handled with care and in particular:

- Keep it dry (do not clean it with water or leave it outdoors in bad weather).
- Avoid dropping or bumping it.
- Keep it out of direct sunlight.



The remote control operates by means of an infrared beam.

- **Do not place obstacles between the remote control and the appliance during use.**
 - **If other appliances in the room have remote controls (TV, stereo, etc...), there may be interference.**
 - **Electronic and fluorescent lights may also interfere with transmissions between remote control and air-conditioner.**
 - **Remove the batteries in case of prolonged disuse of the remote control.**
- Remove the battery disconnection pull tab from the remote control so that it is operational.



7.2 - Insertion of batteries

The remote control uses a 3V button battery (CR2025 type)

The battery must be replaced when, while pressing the remote control buttons, it doesn't change the appliance settings anymore.

- If the remote control is not used for some weeks or even more, remove the battery. **Possible battery leaks could damage the remote control.**

- The average life of the battery is of about six months if used normally. Replace the battery when the remote command reception “beep” from the appliance is not heard anymore.



Always use new batteries and replace both at the same time. The use of old or different batteries could generate malfunctioning of the remote control.



- **Once low, the battery must be replaced and disposed of in the specific collection centres or as required by the local standards.**
- **Do not re-charge or disassemble the batteries. Do not throw the batteries into the fire. They can burn and explode.**
- **If the battery liquid falls onto the skin or clothes, wash well with clean water. Do not use the remote control with batteries that have leaked.**
The chemical products contained in the batteries can cause burns or other risks to health.

To replace the battery (figure G):

- a. Press the lateral pull tab and extract the battery support from the remote control body
- b. Place the battery in the support with symbol “+” facing upwards.
- c. Correctly insert the battery support in the specific slot by pushing it all the way in.

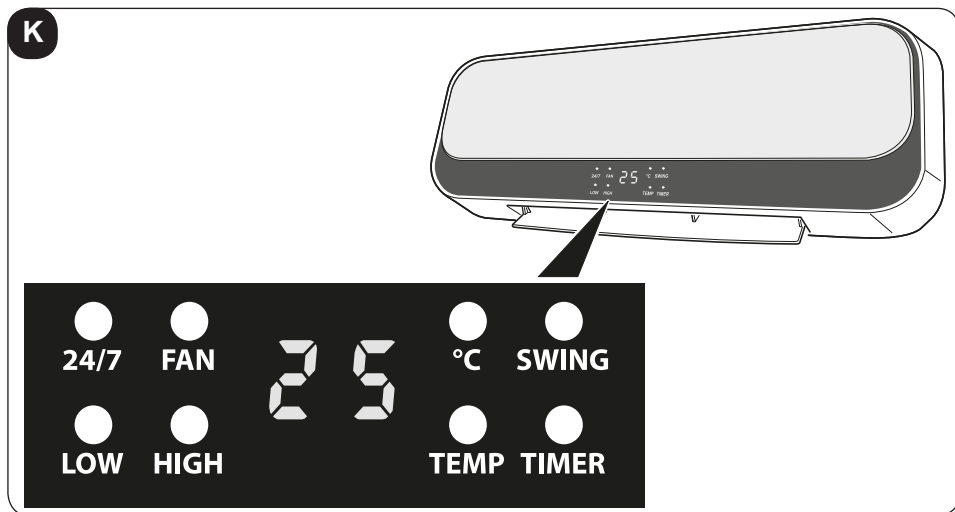
7.3 - Replacement of batteries

- Keep the remote control in a position from which the signal can reach the indoor unit receiver (max. distance approx. 8 metres - with the batteries charged) (figure H). The presence of obstacles (furniture, curtains, walls, etc.) between the remote control and the appliance reduces the remote control working range.

8 - CONTROL BUTTONS AND DISPLAY

8.1 - Display

The LEDs on the display show the appliance status.
The LEDs meaning is the following:



- 24/7** Weekly timer is set
- FAN** - LED turned steady on: only fan mode is active
- LED flashing: switching off time countdown
- LOW** Minimum power mode is active
- HIGH** Maximum power mode is active
- °C** Temperature LED - appliance switched on
- SWING** Oscillating flap function is active
- TEMP** - LED turned steady on, temperature flashes;
• temperature setting from the remote control
LED flashing:
• open window/door function is active
- TIMER** Timer mode is active
- 25** - Steady on: visualisation of the ambient temperature
- Flashing: temperature setting from the remote control

8.2 - Remote control functions buttons

A remote control to ease the settings and the functions of the appliance is supplied.

At each pressure of a button of the remote control, the appliance emits a “beep” to report the signal reception.

In order to use the appliance it is necessary to press the switch on the right side of the appliance on “I” (ON) (position 6 - figure X).



ON/OFF button

Press this button to switch the appliance on; the FAN LED turns on, the appliance starts in **FAN** mode and the flap opens.
Press it again to switch the appliance off.



Operation mode selection button

Press this button to select the desired functioning mode
FAN (FAN) > Minimum power (LOW) > Maximum power (HIGH)



Flap button (SWING)

Press this button to adjust air direction.



Switching off delay button

Press this button to confirm/cancel the appliance switching off delay.



ECO mode button (temperature setting)

Press this button to set the desired temperature. After pressing the button, set temperature with buttons and (range: 18°C÷45°C).



OK button

Press this button to confirm the settings.



Weekly functioning setting button



Weekly setting cancellation button



Open window/door function activation/deactivation button



Setting values increase/decrease buttons

9 - FUNCTIONING


9.1 - Fan mode

While using this mode, the appliance doesn't exert any action neither on temperature nor on air humidity in the room.


When pressing the ON/OFF  button, the appliance starts in this mode. The **FAN** LED on the appliance display turns on.



9.2 - Minimum power heating mode

When the appliance is switched on in fan mode, press button  to activate the minimum power heating. In addition to the **FAN** LED, the **LOW** LED also switches on on the appliance display.

9.3 - Maximum power heating mode


When the appliance is switched on in minimum power mode, press button  to activate the maximum power heating. In addition to the **FAN** LED, the **HIGH** LED also switches on on the appliance display (and the **LOW** LED switches off).



It is also possible to activate this mode through the START/STOP button on the back of the appliance (pos. 12 - figure X).


Press button START/STOP again and the unit switches to STANDBY mode (and switching off occurs as described in the next paragraph).






If one of the heating modes has been activated, press the ON/OFF  button to turn the appliance off, the FAN LED starts flashing and the display starts the 30 seconds countdown after which the appliance turns off (as well as the FAN LED).

9.4 - ECO mode (temperature setting)

Ambient temperature is shown on the display when the appliance is turned on.

When the appliance is on, pressing button  will cause the temperature value to flash and the set temperature value to be shown.

Within 5 seconds, press buttons  and  to set the desired temperature (range: 18°C÷45°C - 1°C variations). Press the  button to confirm the setting or wait 5 seconds; the display goes back to show ambient temperature.


If the set temperature is slightly higher than the ambient one (+1÷2°C), the minimum power heating function activates automatically (**FAN** and **LOW** LEDs turned on).


If the set temperature is greatly higher than the ambient one (>3°C), the maximum power heating function activates automatically (**FAN** and **HIGH** LEDs turned on).

If the set temperature is lower than the ambient one, the fan function activates automatically (**FAN** LED turned on).


The set temperature can be changed at any moment during functioning.


9.5 - Switching off delay mode

Press button  when the appliance is functioning to activate and set the switching off delay mode; the **TIMER** LED on the appliance display turns on and the value *0 H* is shown.

Press the  button once or more to set the desired delay (from 1 to 8 hours) after which the unit will turn off.

Wait approximately 5 seconds without pressing any button: the delay will be set and the **TIMER** LED will turn on on the display.

After confirming the activation of the timer, it is possible to change the functioning mode at any moment by pressing button . Once the set time has passed, the unit will switch to stand-by mode.

To cancel the delayed switching off, press button  and the unit will switch to stand-by mode or, as an alternative, repeat the setting procedure of the delay, entering the value *0 H*.





It is possible to set the desired delay until the hours numeric symbol flashes. Once setting is over, after 5 seconds, the numeric value stop flashing and it is automatically memorized. Is it's desired to further change the delay time, it's necessary to repeat the operation from the beginning.



If the weekly timer is set, it's not possible to set this function.


9.6 - Flap functioning

When the appliance is on, pressing button  will cause the flap to start oscillating. If it is desired to stop the flap in a certain position to direct the air flow, press button  again when the flap is oriented as desired. Press the button one more time to start the flap oscillation again.


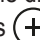








9.7 - Weekly Timer mode

 **This mode can only be started when the appliance is in heating (it cannot be started when the appliance is working as a fan only) or in set temperature mode.**

It is needed to set the current day and hour before using this function.

 **This operation must be performed during the first start-up of the appliance or after having electrically disconnected it.**

Work as follows:

- Start the appliance functioning in minimum power heating mode. In addition to the **FAN** LED, the **LOW** LED also switches on on the appliance display.
- Press button  to set the current day of the week. **01**, which indicates "Monday", appears on the display.
- Press buttons  and  to set the current day (01= Monday, 02= Tuesday, 07= Sunday).
Press button  (within 10 seconds) to confirm and switch to the hour setting.
The display shows **00**.
- Press buttons  and  to set the current hour (from 0 to 23). Press button  (within 10 seconds) to confirm and pass to the minutes setting.
The display shows **00**.
- Press buttons  and  to set the minutes (from 0 to 59). Press button  (within 10 seconds) to confirm.

 If **OK** is not pressed within 10 seconds, the setting is not memorized.


 If it is desired to reset the set day and hour, cut power to the appliance.

f. The display shows **P 1**.

 The appliance has 5 preset modes and a free sixth one (settable by the user).

The preset modes characteristics are indicated in the chart at the bottom of the page.

In order to set the free mode, please see paragraph 9.7.1.

g. Press button  once or more to select the desired mode.

h. Press button **OK** (within 10 seconds) to confirm the setting.

The LED **24/7** on the appliance display starts flashing indicating that the function is active.

The appliance will turn on and off according to the set mode.

Mode	Monday	Tuesday	Wednesday	Thursday	Friday	Saturday	Sunday
P1	8:00÷17:00	8:00÷17:00	8:00÷17:00	8:00÷17:00	8:00÷17:00	8:00÷17:00	8:00÷17:00
P2	18:00÷7:00 ^a	18:00÷7:00 ^a	18:00÷7:00 ^a	18:00÷7:00 ^a	18:00÷7:00 ^a	18:00÷7:00 ^a	18:00÷7:00 ^a
P3	8:00÷17:00	8:00÷17:00	8:00÷17:00	8:00÷17:00	8:00÷17:00	OFF	OFF
P4	18:00÷7:00 ^a	18:00÷7:00 ^a	18:00÷7:00 ^a	18:00÷7:00 ^a	18:00÷7:00 ^a	OFF	OFF
P5	OFF	OFF	OFF	OFF	OFF	00:00÷23:59	00:00÷23:59
P6	Free mode	Free mode	Free mode	Free mode	Free mode	Free mode	Free mode
Note:	^a P2 and P4 modes, the switching off hour is on the next day						
P6:	Set time interval 00÷24H. Switching on hour must precede switching off hour, otherwise the mode DOESN'T activate.						

9.7.1 - Free mode "P6" setting

- After selecting **P6** mode, press button **OK** (within 10 seconds) to confirm.
Number **1** (Monday) flashes on the display; confirm the day with button **OK** within 5 seconds. If you do not confirm, the display automatically switches to the next day **2** (Tuesday) and so on until **7** (Sunday).
- Confirm the day and set the desired switching on hour with buttons **+** and **-** (the display shows **00**). Press button **OK** (within 10 seconds) to confirm.
- Set the desired switching off hour with buttons **+** and **-** (the display shows **00**). Press button **OK** (within 10 seconds) to confirm.
- Set all the days of the week by operating in the same manner.

Note:

- It is necessary to set both the switching on and switching off hour for all the days.*
- It is only possible to set the hour, not the minutes.*
- After setting the switching on and switching off hours for all the 7 days of the week, the appliance sets itself to weekly mode; the LED **24/7** flashes on the display.*

Quick setting

- While the LED **1-7** flashes, press **+** and **-** to select day **1** (Monday).
- Press button **OK** to confirm and then press button **OK** two more times without setting the switching on and switching off hours (leave **00**).
- Repeat the same operations for the other days (from Tuesday to Saturday).
- When **7** (Sunday) flashes, confirm with button **OK**.
- Set the switching on hour and confirm with button **OK**.
- Set the switching off hour.
Pressing button **OK** to confirm will cause the appliance to automatically start in weekly mode.



Once the mode is set, the appliance will memorize it even if the timer is deactivated.

Memory will delete if the appliance is electrically disconnected.

9.7.2 - Weekly Timer switching off





- Press button  seven times to turn the weekly timer off.

LEDs meaning

- Once the weekly timer has been activated, ambient temperature is shown on the display.
The LED °C turns on and the LEDs **24/7** and **LOW** or **HIGH** flash (according to the difference between the set temperature and the ambient one).
- The flap (SWING), minimum power heating (LOW), maximum power heating (HIGH), temperature setting and window/door open functions can be activated both in weekly timer mode and in normal functioning.
- The LED turns steady on when the corresponding function is working.

9.8 - Programmable functions cancellation

9.8.1 - Cancel temperature setting

- During setting phase, press button  to cancel.
- After setting temperature, press button  first, then press  to cancel.
- Press button  to exit from the temperature setting mode.

9.8.2 - Cancel the weekly Timer setting



- During setting phase, press button  to cancel.
- After setting the weekly timer, press button  first, then press  to cancel.

9.9 - Window/Door open function

If enabled, the **WINDOW/DOOR OPEN** function allows the appliance to detect an abnormal amount of cold air in the room.

In this condition, when the appliance is in heating mode or in set temperature mode (the function is cannot be activated in functioning as fan), if it detects an ambient temperature reduction by a few degrees, the function activates.

To enable the function:

- a. When the appliance is connected to the mains power and in heating mode, press  to enable the WINDOW/DOOR OPEN function.
The LED **TEMP** turns on on the display.
- b. Press  a second time to disable the function.



Each time the appliance is electrically connected, the WINDOW/DOOR OPEN function is deactivated.

If this function is disabled, the appliance works normally.


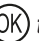

Temperature detection starts 1 minute after the open window/door detection.

The appliance detects ambient temperature at 5 minutes intervals to check if the window/door has been closed.

If, during the checks, the appliance detects:

- a difference of $\leq 8^{\circ}\text{C}$ compared to ambient temperature, it keeps heating and the open window/door detection continues,
- a difference of $> 8^{\circ}\text{C}$ compared to ambient temperature, it stops heating and switches to stand-by mode and the open window/door detection stops.

Note:

- *When the appliance stops heating, the alarm report and the fan keep functioning for 30 seconds, then they switch to stand-by mode. Both the LED **TEMP** and the writing  flash on the appliance display.*
 - *Press  to restart the appliance before it turns off.*
 - *After restart, the open window/door detection starts again in the same ways previously described.*
 - *Press  to turn the appliance off; the display resume showing ambient temperature and the LED $^{\circ}\text{C}$ turns on (appliance in stand-by).*

9.10 - Protection from overheating

The appliance is equipped with a protection system from overheating which turns it off if it overheats.

In this case:

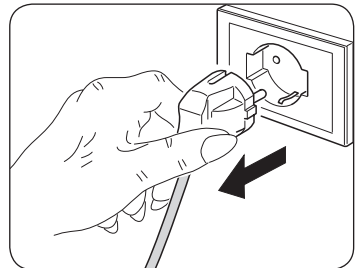
- a. turn the appliance off;
- b. remove the possible cause (air intake grid clogged, obstacles in front of the air outlet or inlet, etc.);
- c. let the appliance cool down for 15/20 minutes;
- d. restart the appliance.

If the issue persists, turn the appliance off, disconnect the plug from the power outlet and please contact the retailer or the technical assistance service.

10 - CLEANING



Before performing any cleaning or maintenance intervention on the appliance, disconnect the plug from the power outlet and wait for the hot parts to cool down.



Use a dry cloth to clean the appliance and the remote control.

If the appliance is very dirty, it is possible to use a cloth moistened with warm water (max 50°C) and a mild detergent to clean its external parts (figure L). Dry with a dry cloth.



Make sure the appliance is completely dry before reconnecting the plug to the power outlet.



Do not use a chemically-treated or anti-static cloth to clean the unit. Do not use gasoline, solvent, polish or similar solvents. These products could cause the breakage or deformation of the plastic surface.



Do not use oils, chemical substances or abrasive products to clean the appliance.



Do not wash or immerse the appliance with/in water.

Use a vacuum cleaner to remove dust from the air inlet/outlet grids.



In case of an appliance malfunction, do not try to disassemble it and please contact the retailer or the technical assistance service instead.

10.1 - Appliance preservation

If you do not intend to use the appliance for a particularly long period of time or if you need to perform works which could produce a lot of dust, it is advised to remove the appliance from the wall and to store it in its original packaging together with the remote control (without batteries). Store everything in a fresh and protected from humidity environment.

11 - TECHNICAL DATA

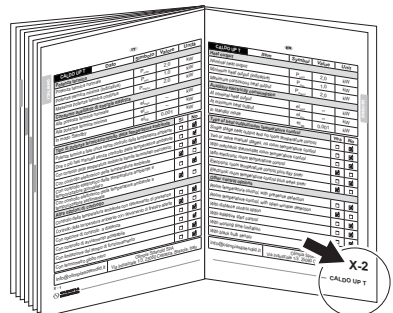
Consult the data plate applied on the product (figures A and M) for the technical data listed below:

- Power supply voltage
- Absorbed power
- Insulation class
- Appliance weight

11.1 - Compliance

This product is CE marked to denote compliance with Directives 2014/35/UE (Low Voltage) and 2014/30/UE (Electromagnetic Compatibility).

Table - Requirements of information for conditioners (see page X-2)



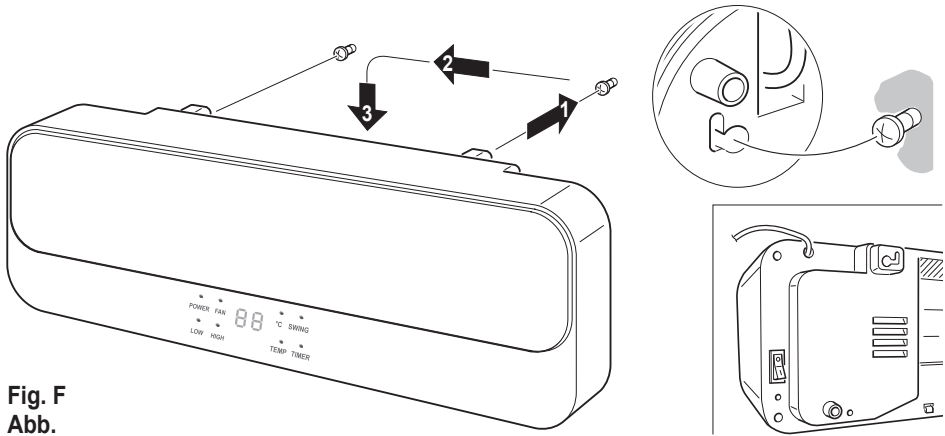


Fig. F
Abb.

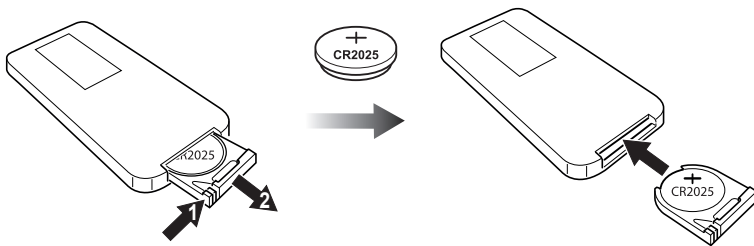


Fig. G
Abb.

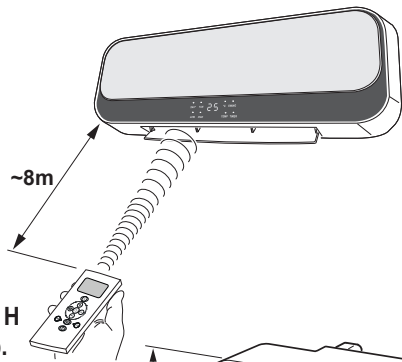


Fig. H
Abb.

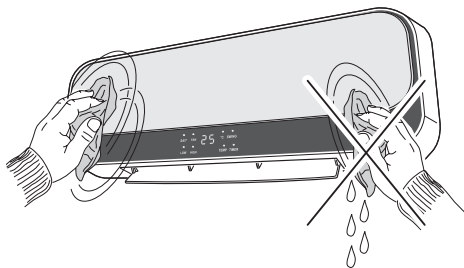


Fig. L
Abb.

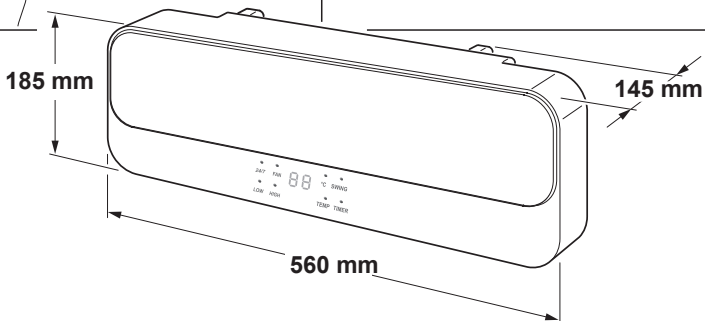


Fig. M
Abb.

OLIMPIA SPLENDID spa
via Industriale 1/3
25060 Cellatica (BS)
www.olimpiasplendid.it
info@olimpiasplendid.it

I dati tecnici e le caratteristiche estetiche dei prodotti possono subire cambiamenti. Olimpia Splendid si riserva di modificarli in ogni momento senza preavviso.